

banks

with Installation Instructions
Owner's Manual

Banks Monster[®] Sport Exhaust System

**2001-2007 (LB7, LLY, & LBZ) Chevy/GMC 6.6L
Duramax
Turbo-Diesel Pickups**

THIS MANUAL IS FOR USE WITH SYSTEM
48769 - 48776

Gale Banks Engineering
546 Duggan Avenue • Azusa, CA 91702
(626) 969-9600 • Fax (626) 334-1743

Product Information & Sales: (888) 635-4565
Customer Support: (888) 839-5600
Installation Support: (888) 839-2700

bankspower.com

Products Available From Banks Power For the '01-07 Chevy/GMC 6.6L



Banks iQ System **'01-07 (P/N 61141, 61142, 61144)**

- 5" touchscreen interface that can control the Banks Diesel Tuner and/or SpeedBrake on the fly.
- Interchangeable gauge display, read and clear codes, monitor engine diagnostics, log data, time your vehicles runs and much more.

Big Hoss Intake Manifold System **'01-07 (P/N 42733)**

- Increases flow and provides more uniform air distribution to the engine for more available power at a given boost level.

Big Head Wastegate Actuator **'01-04 (P/N 24396)**

- Reaches a higher peak boost faster
- Precise boost control for crisp acceleration and improves midrange pulling power.

Banks Bullet **'01-04 (P/N 66516, 66517)**

- Increases horsepower on the fly
- Displays turbo boost, EGT temp and added fuel percentage.

Banks Ram-Air Intake System **'01-07 (P/N 42132, 42135, 42142)**

- Increases your airflow over stock.
- Adds power, improves fuel economy, lowers EGTs and reduces smoke.

Banks Super-Scoop
'03-07 (P/N 42168, 42169)

- Adds cooler denser air to the Ram-Air Intake housing, further increasing fuel economy, reducing smoke and lowers EGTs.

Banks Techni-Cooler System
'01-10 (P/N 25976, 25977, 25978, 25982)

- Provides increased air flow to the engine by increasing air density for more increased power, lower EGTs and improved fuel economy.

Banks Diesel Tuner
'01-07 EconoMind w/ Switch
(P/N 63713, 63715, 63763, 63765, 63863, 63865)

'01-07 EconoMind w/ iQ
(P/N 63727, 63728, 63737, 63738, 63857, 63858)

'01-07 Six-Gun w/ Switch
(P/N 63717, 63767, 63867)

'01-07 Six-Gun w/ iQ
(P/N 63729, 63739, 63859)

- Adds power safely to your vehicle
- Engine and transmission safeguards
- Change power levels on-the-fly

Banks Speed-Loader
'01-07 (P/N 63718)

- Furthers the power output of the Banks Six-Gun and provides EGT limiting safety.

Thermocouple

- Add a temperature limiting function to your diesel tuner.

Banks Brake
'01-07 (P/N 55232, 55233, 55447, 55448)

- All electronic brake, no cutting pipes.
- Allows for varied braking intensity based on switch position.
- Setting to turn ON with use of your vehicle brake pedal to aid braking

Banks SpeedBrake
'04-07 (P/N 55437, 55440, 55443, 55445)

- Everything the **Banks Brake** does
- Allows for controlled hill decent at a user defined or preset vehicle speed.

Banks AutoMind Programmer
(P/N 66104)

- Clear and view OBDII Diagnostic Trouble Codes (DTC).
- Loaded with dyno-proven tuning files
- Speed Limiter adjustment capabilities
- Recalibration of the speedometer
- Customize and adjust gearing, tire size and fuel octane

Banks Billet Torque Converter
'01-09 (P/N 72510)

- Higher torque capacity over stock
- Lockup clutch is slip-resistant so transmission fluids stay cooler and transmission life is prolonged.

Boost and Pyro Gauges
'01-06 (P/N 64507)

- Keep your engine safe by monitoring vital engine parameters

**For More Information please call 1-800-635-4565
or Visit us online @ www.bankspower.com**

General Installation Practices

Dear Customer,

If you have any questions concerning the installation of your Banks Monster Exhaust System, please call our Technical Service Hotline at (888) 839-2700 between 7:00 am and 5:00 pm (PT). If you have any questions relating to shipping or billing, please contact our Customer Service Department at (888) 839-5600.

Thank you.

1. Before starting work, familiarize yourself with the installation procedure by reading all of the instructions.
2. The exploded view (**Figure 1**) provides only general guidance. Refer to each step and section diagram in this manual for proper instruction.
3. Throughout this manual, the left side of the vehicle refers to the driver's side, and the right side to the passenger's side.
4. Disconnect the negative (ground) cable from the battery (or batteries, if there are two) before beginning work.

Tools Required:

- 1/2" and 3/8" drive ratchets with standard and metric sockets and 1/2" and 3/8" drive extension
- Standard and metric combination or open-end wrenches
- Standard screwdriver
- Clean shop towels or rags
- Pry-bar
- Reciprocating saw

5. Route and tie wires and hoses a minimum of 6" away from exhaust heat, moving parts and sharp edges. Clearance of 8" or more is recommended where possible.

6. When raising the vehicle, support it on properly weight-rated safety stands, ramps or a commercial hoist. Follow the manufacturer's safety precautions. Take care to balance the vehicle to prevent it from slipping or falling. When using ramps, be sure the front wheels are centered squarely on the topsides; put the transmission in park; set the hand brake; and place blocks behind the rear wheels.

Caution! Do not use floor jacks to support the vehicle while working under it. Do not raise the vehicle onto concrete blocks, masonry or any other item not intended specifically for this use.

7. During installation, keep the work area clean. Do not allow anything to be dropped into intake, exhaust, or lubrication system components while performing the installation, as foreign objects will cause immediate engine damage upon start-up.

Highly recommended tools and supplies:

- Foot-pound torque wrench
- Penetrating oil or light lubricant spray
- Oxy-acetylene torch

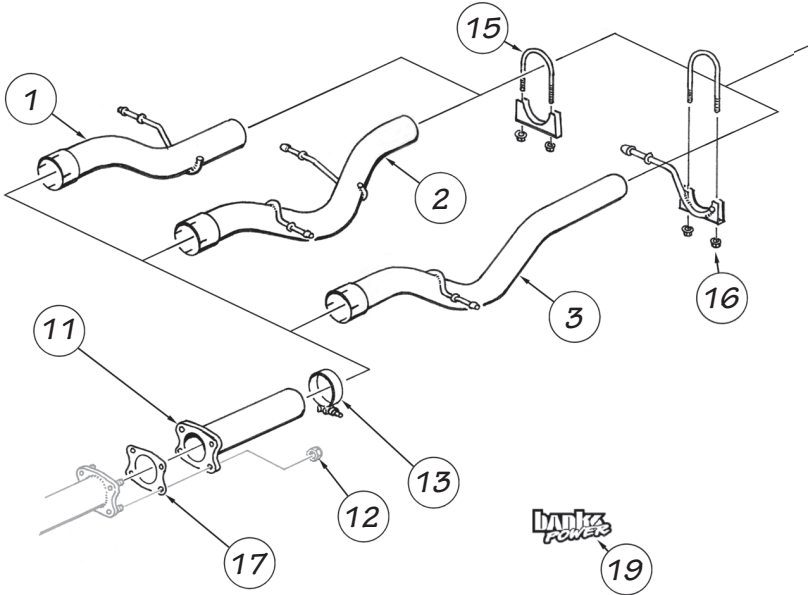
| Item | Description | P/N | QTY |
|-------------|--|------------|------------|
| 1 | Intermediate Pipe 2001-2005 SCLB | 53713 | 1 |
| 2 | Intermediate Pipe 2001-2005 ECSB / CCSB | 53719 | 1 |
| 3 | Intermediate Pipe 2001-2005 ECLB / CCLB | 53720 | 1 |
| 4 | Intermediate Pipe 2006-2007 SCLB | 53733 | 1 |
| 5a | Front, Intermediate Pipe 2006-2007 ECSB | 53729 | 1 |
| 5b | Rear, Intermediate Pipe 2006-2007 ECSB | 53730 | 1 |
| 6a | Front, Intermediate Pipe 2006-2007 CCSB | 53745 | 1 |
| 6b | Rear, Intermediate Pipe 2006-2007 CCSB | 53746 | 1 |
| 7 | Intermediate Pipe 2006-2007 ECLB | 53736 | 1 |
| 8a | Front, Intermediate Pipe 2006-2007 CCLB | 53751 | 1 |
| 8b | Rear, Intermediate Pipe 2006-2007 CCLB | 53752 | 1 |
| 9 | Monster Muffler 2001-2007 SCLB, ECSB & CCSB | 53810 | 1 |
| | Monster Muffler 2001-2007 ECLB & CCLB | 53811 | 1 |
| 10 | Front, Monster Tailpipe 2001-2007 (SCLB, ECSB & CCSB) | 53710 | 1 |
| 10a | Front, Monster Tailpipe 2001-2007 (ECLB & CCLB) | 53728 | 1 |
| 10b | Rear, Monster Tailpipe, 2001-2007 (ALL) | 53712 | 1 |
| 11 | Extension, Intermediate Pipe 2001-2005 SCLB | 53713 | 1 |
| | Extension, Intermediate Pipe 2001-2005 All Except SCLB | 53717 | 1 |
| 12 | Factory Nut | - | 4 |
| 13 | 4" Band Clamp (2001-2005 Models Only) | 52471 | 1 |
| 14 | 3 1/2", Exhaust Clamp (2006-2007 Models Only) | 52468 | 1 |
| 15 | 4" Exhaust Clamp | 52470 | 3 |
| 16 | 4" Exhaust Hanger Clamp | 53707 | 1 |
| 17 | Flange Exhaust Gasket | 93210 | 1 |
| 18 | Tailpipe Tip (Optional) | 52383 | 1 |
| 19 | Banks Decal | 96009 | 2 |

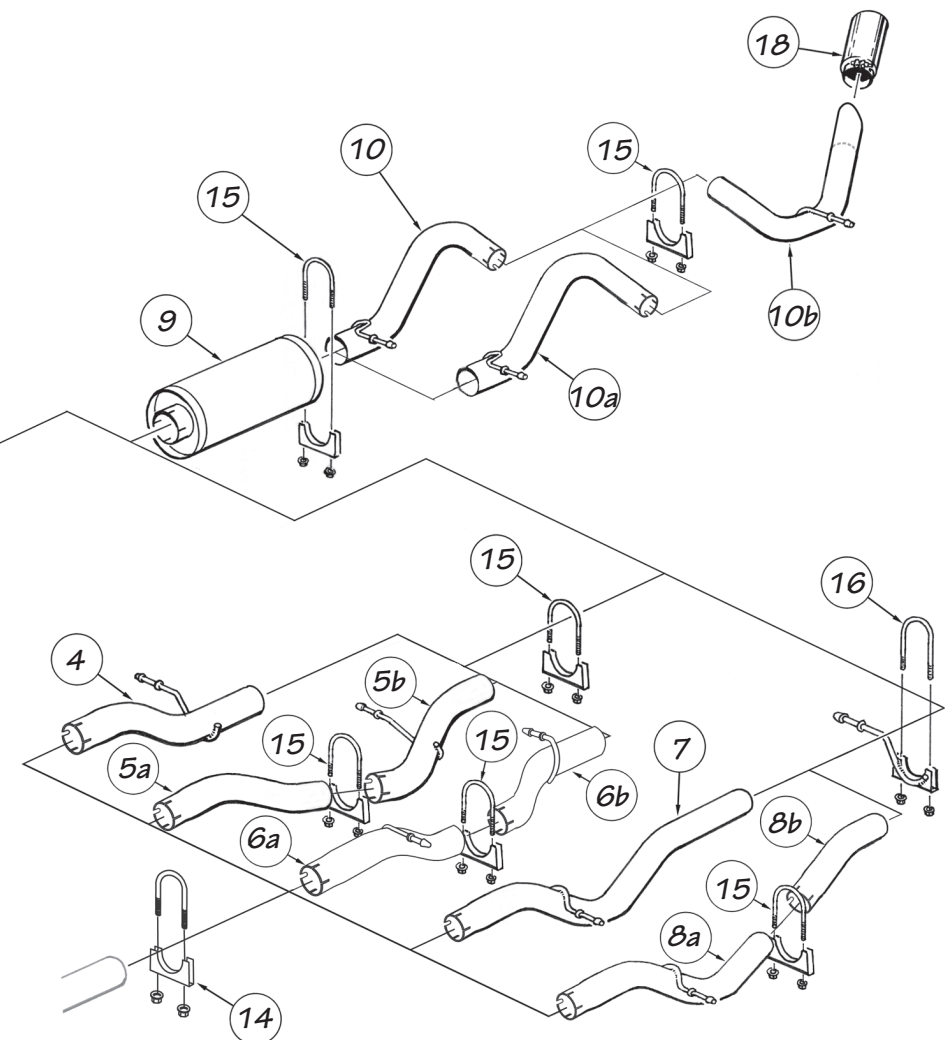
Legend key

| Abbr. | Description |
|--------------|--------------------|
| SC | Standard Cab |
| EC | Extended Cab |
| CC | Crew Cab |

| Abbr. | Description |
|--------------|--------------------|
| SB | Short Bed |
| LB | Long Bed |

Figure 1 Banks Monster Exhaust, General Assembly





Monster Exhaust System Installation

1. As a precaution, disconnect the ground of the battery (if there is more than one battery, disconnect both).

2. Raise the vehicle and support it with properly weight rated safety stands, ramps or a commercial hoist. Follow the manufacturer's safety precautions. Take care to balance the vehicle to prevent it from slipping or falling. When using ramps, be sure the front wheels are centered squarely on the topsides; place the transmission in park; set the parking brake and place blocks behind the rear wheels.

CAUTION: DO NOT WORK UNDER ANY VEHICLE SUPPORTED ONLY BY A JACK. SEVERE INJURY MAY RESULT.

3. Removal of the factory exhaust can be simplified by cutting the factory exhaust pipe behind the muffler. This will allow the tailpipe to be removed as a separate piece.

4. For 2006-2007 models, remove the clamp located on the catalytic converter outlet.

5. For 2001-05 models, remove the four (4) nuts from the factory exhaust flange located at the back side of the factory head pipe (retain for re-use).

6. Remove the factory tailpipe from the vehicle by disengaging the exhaust system hanger pins from the rubber hangers using a large screw-driver or pry bar.

Note: Lubricating the rubber hangers with WD-40 or similar lubricant will ease removal of the hanger pins.

7. Remove the factory muffler from the vehicle by disengaging the hanger pins from the rubber hangers using a large screwdriver or pry bar.

*NOTE: proceed to **step 14** for 2006-2007 models installation instructions*

CAUTION: The following step involves cutting a stainless steel tube. Safety glasses should be worn during any cutting operation and care should be taken to avoid injury due to sharp edges and burrs.

8. For Extended Cab Long Bed and Extended Cab Short Bed 2001-2005 models only:

Cut the Banks Flanged intermediate pipe (53717) based on the following configurations. See **Table 1**. Cut the Non-flanged end of the intermediate pipe. See **Figure 2**.

9. Install the Banks flanged intermediate pipe and 4-bolt gasket onto the headpipe. Loosely assemble with the four (4) factory nuts. Slide the Banks 4-inch band clamp on the outlet of the Banks 4-bolt flange pipe.

10. For 2006-2007 models, install a 3 1/2" saddle clamp onto the catalytic converter outlet.

11. For one-piece intermediate pipe, insert the intermediate pipe inlet onto the flanged intermediate pipe or catalytic converter outlet. Install the intermediate pipe hanger pin(s) into the vehicle rubber hangers.

For two-piece intermediate pipe, insert the Front intermediate pipe inlet onto the factory catalytic converter outlet. Loosely tighten the 3.5" clamp to secure the Front intermediate pipe. Install a 4" clamp on the outlet of the Front intermediate pipe outlet. Insert the Rear intermediate pipe inlet into the Front intermediate pipe outlet. Install the intermediate pipe hanger pin(s) into the vehicle rubber hangers. Loosely tighten the 4" clamp to secure the Rear intermediate pipe.

Figure 2

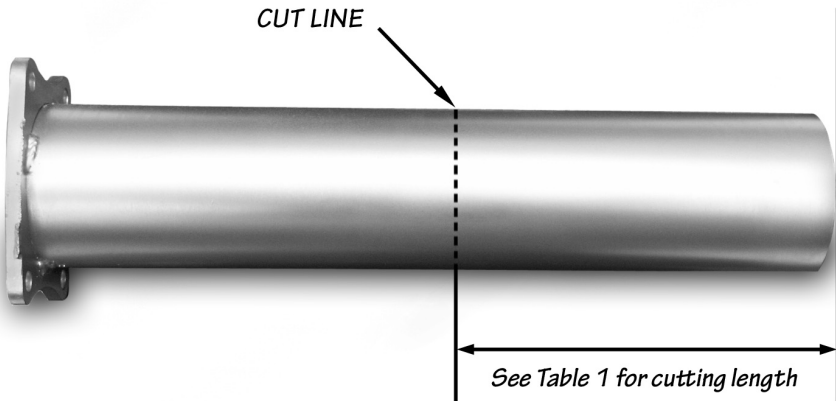


Table 1

| 2001-2005 Chevy/GMC 6.6L Duramax | |
|---|---|
| | Cut Flanged Intermediate pipe to Length |
| Standard Cab/ Long Bed | No Cut |
| Extended Cab/ Short Bed | 9 1/2" |
| Extended Cab/ Long Bed | 9 1/2" |
| Crew Cab/ Short Bed | No Cut |
| Crew Cab/ Long Bed | No Cut |

NOTE: Once the pipe has been completely engaged in the slip joint, it should be marked with a marker, scribe or tape for reference when tightening clamps later in the installation. Each slip joint in the system should be marked in this fashion. When the exhaust system is being adjusted to align the hangers, the slip joints can be adjusted so that the reference mark is no more than 1/4" away from its original position.

12. Slide one (1) of the supplied 4-inch exhaust clamps over the Banks Rear intermediate pipe.

Note: On extended-cab long-bed and crew-cab long-bed vehicles, the clamp that is used between the intermediate pipe and muffler is a combination hanger/clamp. When this hanger clamp is installed the hanger pin should be inserted into the factory rubber hanger and the clamp should be rotated until the hanger pin is parallel with the frame mounted pin before being torqued.

13. Install the muffler onto the end of the intermediate pipe outlet. Be sure that the inlet side of the muffler (see markings on muffler body) is facing toward the front of the vehicle. Orient the muffler such that the "Banks Monster" logo is facing towards the frame and is level with the ground. Verify that the muffler and intermediate pipe are completely engaged.

14. Slide one (1) of the supplied 4" exhaust clamps onto the Banks Monster muffler outlet.

15. Install the Front tailpipe into the outlet of the muffler. Be sure that the two pipes are completely engaged. Insert the Front tailpipe hanger pin into the factory rubber hanger. Loosely tighten the Muffler outlet clamp to secure the Front tailpipe. Install a 4" clamp onto the Front tailpipe outlet. Install the Rear tailpipe into the outlet of the Front tailpipe. Insert the Rear

tailpipe hanger pin into the factory rubber hanger. Loosely tighten the Front tailpipe outlet clamp to secure the Rear tailpipe. Rotate the two tailpipe pieces until the hanger pins are parallel with the frame mounted pin.

*Note: If installing optional tailpipe tip, cut off 4" from the Rear tailpipe outlet before installing the Rear tailpipe into the Front tailpipe outlet. See **Figure 3**.*

Minimum distance between exhaust tip and body is one (1) inch.

16. Adjust each of the pipes to ensure that all of the hanger pins are parallel with the frame mounted pins and that the rubber hangers are all positioned slightly forward (See **Figure 4**). The amount of forward angle on the rubber hangers should increase the farther downstream the hanger is positioned. This allows the hangers to be properly positioned once the exhaust system reaches operating temperature.

Figure 3 If Installing Optional Tailpipe Tip

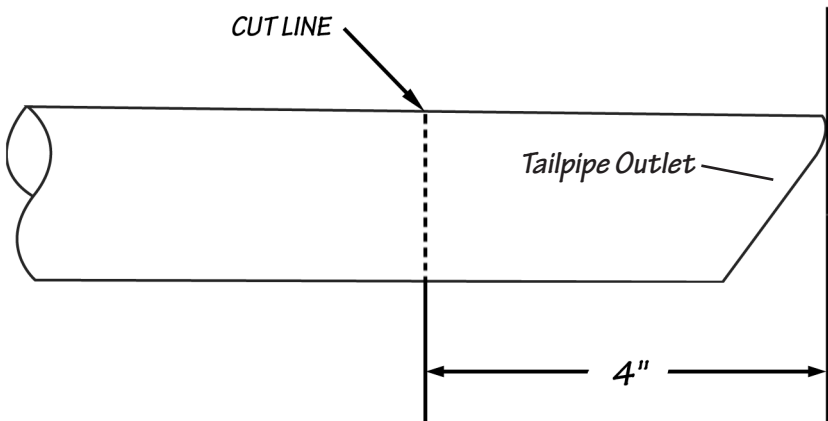
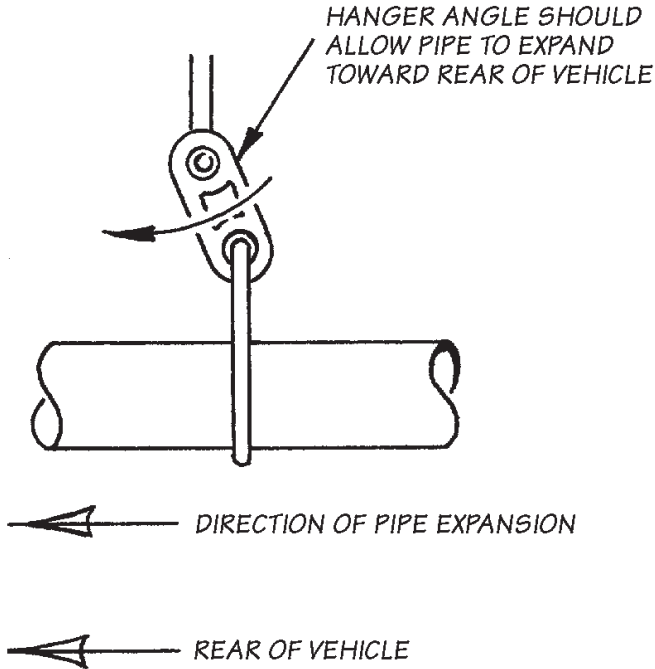


Figure 4



17. Install the exhaust clamp at each of the joints. **Figure 5** illustrates the proper location of an exhaust clamp on a tubing joint. Torque the nuts on each of the exhaust clamps to 35 ft-lb.

Note: If a combination hanger/clamp is utilized, evenly torque nuts to 35 ft-lb. The clamps only need to be tight enough to form a seal and hold the pipes together. Over tightening the clamps may cause the system to leak due to the pipe being crimped.

If not installing the optional Banks Tailpipe Tip, skip to step 25.

18. Insert the optional tailpipe tip over the tailpipe outlet. Adjust the tip past the edge of the body or where aesthetically pleasing. Torque the band clamp to 35 ft-lb.

19. Remove the protective covering from the tailpipe tip.

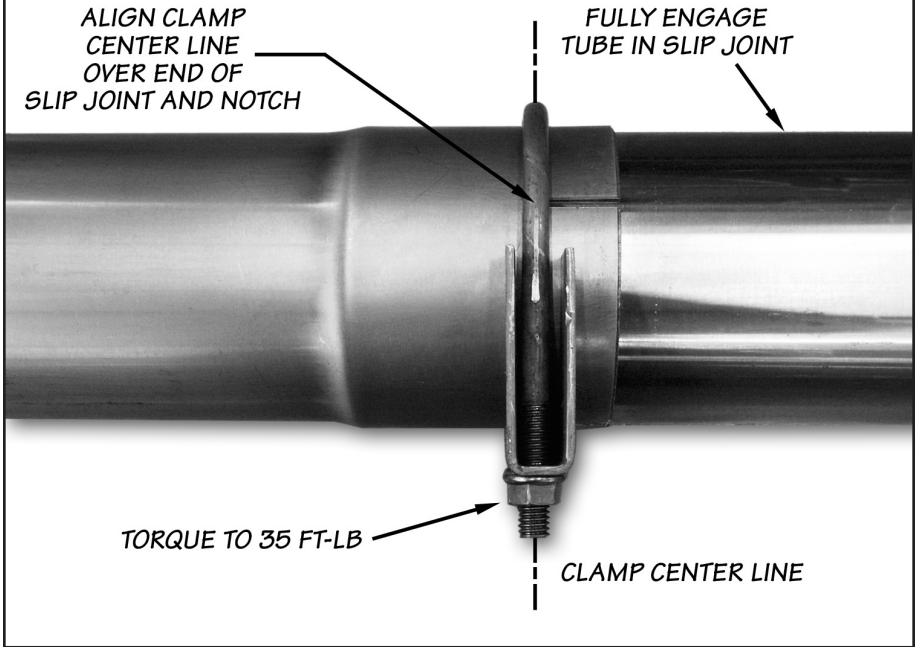
Caution: the protective covering may ignite and burn if not removed prior to running the engine.

20. Your system includes two (2) Banks Power decals designed to complement the Duramax emblems on the vehicles front doors.

21. Re-connect the negative battery cable. Start the engine and listen for exhaust leaks. Tighten the exhaust clamps as necessary. Whenever possible, tack weld slip connections to prevent disengagement is recommended. The Banks Monster Exhaust installation is now complete.

22. Monster exhaust system installation is now complete.

Figure 5



Notes



Notes



Notes



Gale Banks Engineering
546 Duggan Avenue • Azusa, CA 91702
(626) 969-9600 • Fax (626) 334-1743

Product Information & Sales: (800) 438-7693
Customer Support: (888) 839-5600
Installation Support: (888) 839-2700

bankspower.com