

**banks**

# Owner's Manual with Installation Instructions

## **Banks Power Pack® System**

**Including Stinger® System  
and EconoMind Diesel Tuner**

**Compatible with Optional Banks iQ™**

**2007- 2010 Chevy/GMC 6.6L (LMM) Duramax  
Turbo-Diesel Pickups**

THIS MANUAL IS FOR USE WITH KITS:

47792-47793, 47794-47795, 63883, 63885, 63897, 63898

Gale Banks Engineering  
546 Duggan Avenue • Azusa, CA 91702  
(626) 969-9600 • Fax (626) 334-1743

Product Information & Sales: (888) 635-4565  
Customer Support: (888) 839-5600  
Installation Support: (888) 839-2700

**bankspower.com**

**banks**

**Dear Customer,**

**If you have any questions concerning the installation of your Banks Power Pack System, please call our Technical Service Hotline at (888) 839-2700 between 7:00am and 4:00pm (PST). If you have any questions relating to shipping or billing, please contact our Customer Service Department at (888) 839-5600.**

**Thank you.**

**TOOLS REQUIRED:**

- Inch and metric sockets
- Drive ratchet
- Ratchet extension(s)
- Inch and metric combination and open-end wrenches
- Pliers
- Wire cutters or scissors
- Center punch
- Drill or 90° drill motor
- 1/8" and R (0.339") drill bits  
*(A 5/16" drill bit (0.313") may be used if an R drill bit cannot be found),*
- 3/8" Uni-bit step drill bit or 3/8" drill bit
- 1/8" NPT (National Pipe Thread) tap
- Torque wrench
- Penetrating oil or light lubricant spray
- Anti-seize compound
- Torx bits
- Upholstery tool
- Reciprocating saw
- Standard and Phillips head screwdrivers
- Clean shop towels or rags
- 5/16" nut driver

## **Table of Contents**

|  |           |
|--|-----------|
| <b>General Installation Practices . . . .</b>                                | <b>3</b>  |
| <b>Section 1 . . . . .</b>   | <b>4</b>  |
| Ram-Air Installation   |           |
| <b>Section 2 . . . . .</b>   | <b>9</b>  |
| Air Filter Cleaning Instructions   |           |
| <b>Section 3 . . . . .</b>   | <b>12</b> |
| Banks Techni-Cooler Installation   |           |
| <b>Section 4 . . . . .</b>   | <b>22</b> |
| Installation of Wiring Harness,<br>Connections and EconoMind Diesel<br>Tuner |           |
| <b>Section 5 . . . . .</b>   | <b>35</b> |
| Mounting and Connecting the Banks iQ   |           |
| <b>Section 6 . . . . .</b>   | <b>38</b> |
| Installation of the (optional) EconoMind<br>Selector Switch                  |           |
| <b>Section 7 . . . . .</b>   | <b>42</b> |
| Thermocouple Installation  |           |
| <b>Section 8 . . . . .</b>   | <b>44</b> |
| Monster Exhaust Single System<br>Installation                                |           |
| <b>Section 9 . . . . .</b>   | <b>48</b> |
| Monster Exhaust Split-Dual System<br>Installation                            |           |
| <b>Section 10 . . . . .</b>  | <b>53</b> |
| Automatic Transmission Learning  |           |
| <b>Section 11 . . . . .</b>  | <b>54</b> |
| Checking Engine Performance  |           |
| <b>Section 12 . . . . .</b>  | <b>55</b> |
| EconoMind Tuner Troubleshooting  |           |
| <b>Section 13 . . . . .</b>  | <b>58</b> |
| Clearing Learned Information   |           |
| <b>Section 14 . . . . .</b>  | <b>58</b> |
| Removal of the EconoMind Diesel Tuner  |           |
| <b>Section 15 . . . . .</b>  | <b>59</b> |
| Placement of the Banks Power Decals  |           |

# General Installation Practices

1. Before starting work, familiarize yourself with the installation procedure by reading all of the instructions.
2. The exploded views provide only general guidance. Refer to each step and section diagram in this manual for proper instruction.
3. Throughout this manual, the left side of the vehicle refers to the driver side, and the right side to the passenger side.
4. Disconnect the negative (ground) cable from the battery (or batteries, if there are two) before beginning work.
5. Route and tie wires and hoses a minimum of 6" away from exhaust heat, moving parts and sharp edges. Clearance of 8" or more is recommended where possible.
6. When raising the vehicle, support it on properly weight-rated safety stands, ramps or a commercial hoist.

Follow the manufacturer's safety precautions. Take care to balance the vehicle to prevent it from slipping or falling. When using ramps, be sure the front wheels are centered squarely on the topsides. When raising the front of the vehicle, put the transmission in park (automatic) or reverse (manual), set the parking brake, and block the rear wheels. When raising the back of the vehicle, be sure the vehicle is on level ground and the front wheels are blocked securely.

**CAUTION: Do not use floor jacks to support the vehicle while working under it. Do not raise the vehicle onto concrete blocks, masonry or any other item not intended specifically for this use.**

7. During installation, keep the work area clean. Do not allow anything to be dropped into intake, exhaust, or lubrication system components while

performing the installation, as foreign objects will cause immediate engine damage upon start-up.

8. Save this Owner's Manual as a reference for system maintenance and service.

9. The Banks iQ displays a green indicator light when the battery is fully charged. If an orange light is displayed, the Banks iQ can be charged with the supplied AC-outlet wall charger. Locate the supplied AC outlet wall charger, also located in your kit and plug the charging cord into Banks iQ. Please refer to the Banks iQ DashBoard PC, Owner's Manual for additional instruction.

10. Banks recommends either a Banks iQ or a Pyrometer (EGT) gauge and Boost gauge be installed with the EconoMind Diesel Tuner to help monitor performance and exhaust gas temperature of the vehicle.

**WARNING: Below 32° F (0°C) or above 140° F (60°C), the Banks iQ may be susceptible to damage as a result of extended direct exposure to sunlight, heat, or extreme cold. It is highly recommended that the Banks iQ be removed from its mounting location if the vehicle will be subjected to these conditions for an extended period of time. Gale Banks Engineering is not responsible for damage to Banks iQ resulting from exposure conditions.**

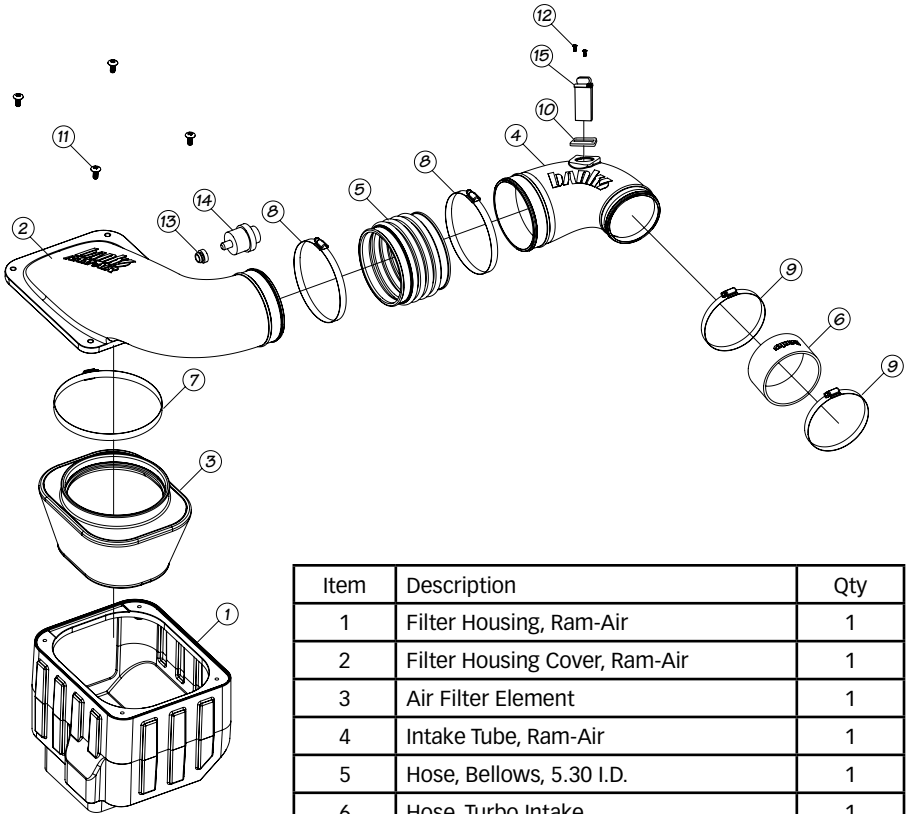
## Notification

**The Banks Ram-Air Filter comes pre-oiled and no oiling is necessary for initial installation. Service the filter as specified in the Filter Maintenance Section of this manual.**

# Section 1

## RAM-AIR INSTALLATION

### Banks Ram-Air General Assembly



| Item | Description                                | Qty |
|------|--|-----|
| 1    | Filter Housing, Ram-Air                    | 1   |
| 2    | Filter Housing Cover, Ram-Air              | 1   |
| 3    | Air Filter Element                         | 1   |
| 4    | Intake Tube, Ram-Air                       | 1   |
| 5    | Hose, Bellows, 5.30 I.D.                   | 1   |
| 6    | Hose, Turbo Intake                         | 1   |
| 7    | Hose Clamp, #128                           | 1   |
| 8    | Hose Clamp, #88 w/Liner                    | 2   |
| 9    | Hose Clamp, #72 w/Liner                    | 2   |
| 10   | Gasket, MAF                                | 1   |
| 11   | Screw, Truss Head, Phillips, 5/16-18 X 3/4 | 4   |
| 12   | Screw, Truss Head, Phillips, 6-32 X 3/8    | 2   |
| 13   | Stock Grommet, Filter Minder               | *   |
| 14   | Stock Filter Minder                        | *   |
| 15   | Stock MAF Sensor                           | *   |
| 16   | Torx Tool, T20H (not shown)                | 1   |

\*Stock parts are re-used

Use caution when working in the engine compartment. Make sure the engine has been OFF for several hours and cool. Disconnect the ground cables from both the driver and passenger side batteries. Position the loose cables so that they do not come into contact with their respective battery posts during the installation.

**1.** Loosen the hose clamp from the stock intake tube on the turbo intake.

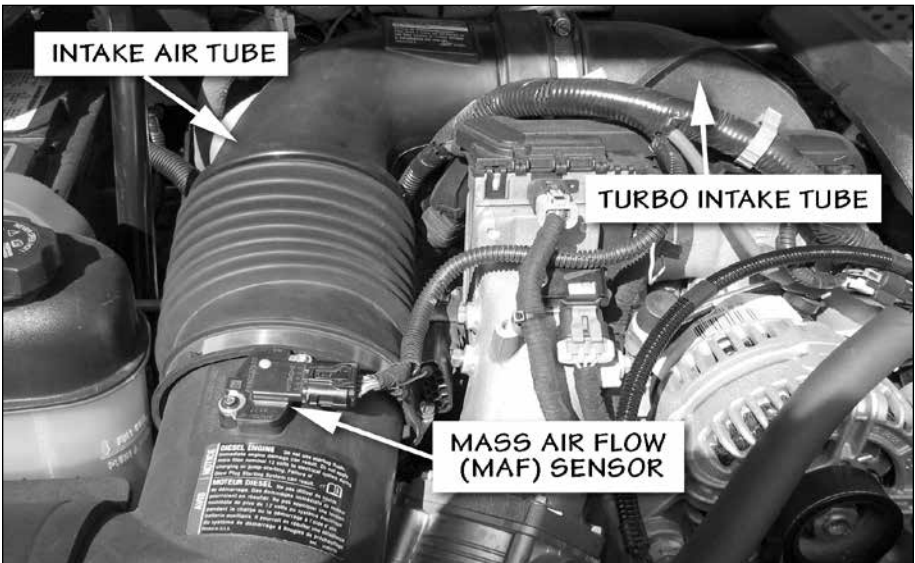
**2.** Loosen and separate the stock hose clamp on the intake air tube connected to the stock air box cover. See **Figure 1**.

**3.** Separate the stock intake tube connected to the turbo intake. Remove the stock intake tube from the engine and set aside.

**4.** Remove the Mass Air Flow (MAF) sensor connector from stock air box filter cover.

*NOTE: Be careful not to damage the connector or the MAF sensor during this process.*

**Figure 1**



**5.** Remove stock air box by lifting the air box up and out. The bottom of the stock air box is held in place by rubber grommets. There may be some slight resistance when removing the stock air box.

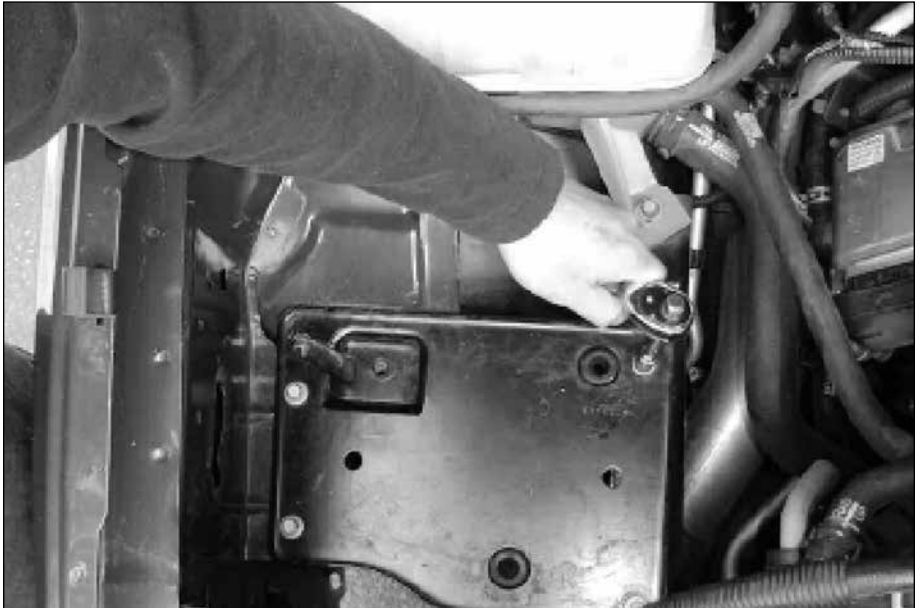
**6.** Next, remove the stock air box bolts accessible from the top of the engine compartment as shown. Then remove the stock air box tray. See **Figure 2**. Keep the previously removed bolts for reassembly later in the installation process.

**If you are installing the Banks Techni-Cooler, skip to Section 3.**

**7.** Locate your Banks Ram-Air filter housing from your kit. Align the Banks Ram-Air filter housing to fit parallel to fender edge. Install and tighten the previously removed air box tray bolts to secure the Banks Ram-Air filter housing.

*NOTE: The cutout on Banks Ram-Air filter housing must face passenger side fender. See **Figure 3**.*

**Figure 2**



**8.** Locate your Banks Torx tool, T20H in your Banks Ram-Air kit. Use the Torx tool bit to remove the two (2) screws securing the MAF sensor to the stock air box cover.

*NOTE: Be careful when removing the MAF Sensor. When removing the MAF sensor, grasp its body and pull up and out. Do not twist or bend when removing.*

**9.** Remove stock MAF gasket. Locate the Banks MAF sensor gasket supplied in your kit. Install Banks gasket as shown (**Figure 4**).

**10.** Locate your Banks Ram-Air intake tube in your kit. Install the stock MAF sensor (with the additional Banks gasket) to MAF sensor mounting boss as shown. Tighten the screws (included) to 3 in/lbs.

*NOTE: Ensure correct alignment, otherwise screw holes will not align with screw holes in the Banks Ram-Air intake tube.*

**CAUTION: Do not over tighten screws.**

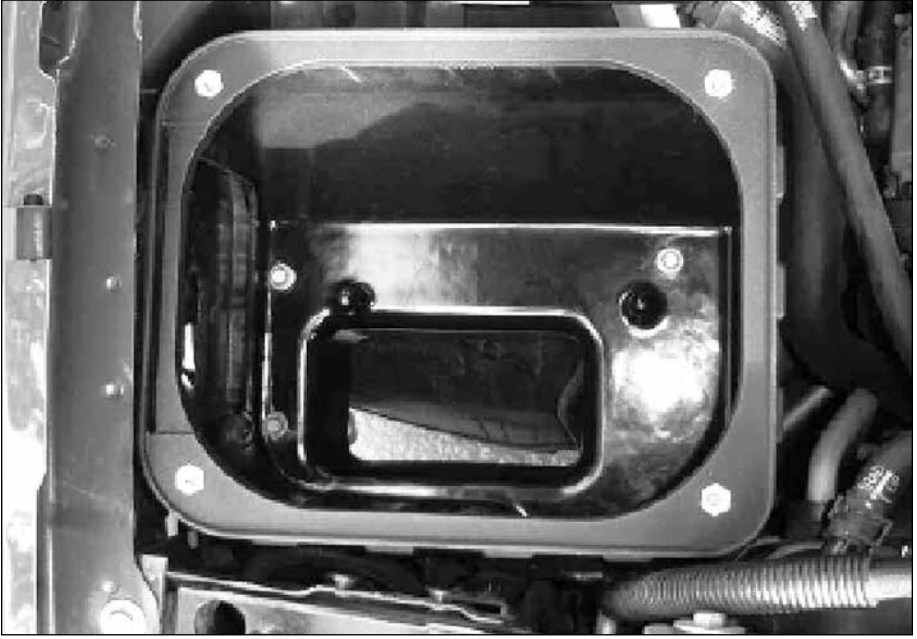
**11.** From the stock air box, remove the stock air filter Minder. Make sure to remove the stock air filter Minder's rubber grommet as well. See **Figure 5**.

**12.** Locate the Banks Ram-Air filter housing cover. Install the air filter Minder's rubber grommet into the Banks Ram-Air filter housing cover. Once the rubber grommet is installed flush into the Banks Ram-Air cover, then the filter Minder can be inserted into the rubber grommet. Make sure the air filter Minder is installed flush to rubber grommet.

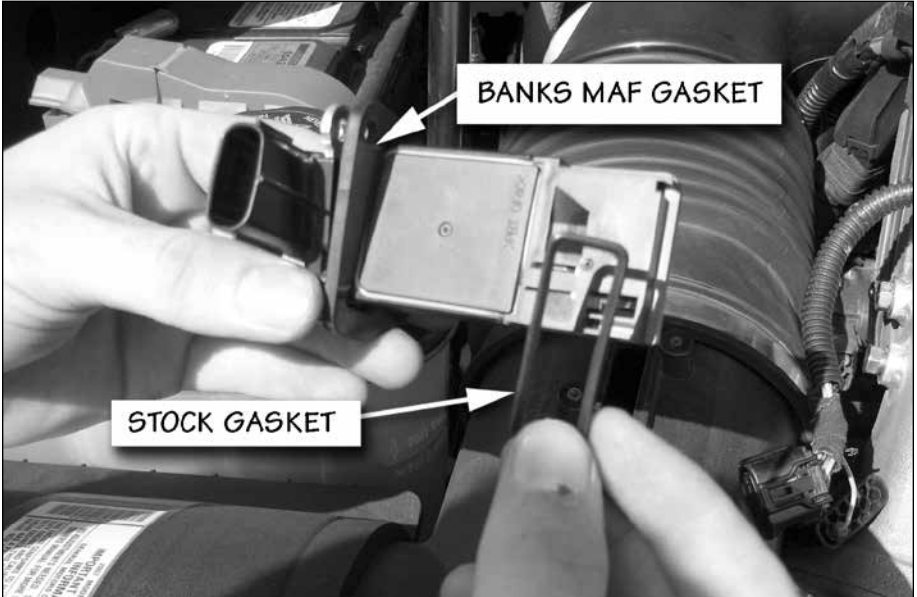
**13.** Locate the Banks Ram-Air filter element and the Banks air filter hose clamp. Loosely fit the filter clamp to the air filter element.

*NOTE: See **Figure 6** to reference the correct alignment groove to the Banks Ram-Air filter.*

**Figure 3**



**Figure 4**



**14.** After verifying the alignment between the Banks Ram-Air filter and the Banks Ram-Air cover, press fit the two pieces together until an audible snap is heard. This process will ensure that a correct seal has been established.

**15.** Tighten the Banks Ram-Air filter hose clamp to the Banks Ram-Air filter cover.

**16.** Place the Banks Ram-Air filter cover onto the Banks Ram-Air housing. Align and loosely fit the cover onto the housing.

**17.** Install, but do not tighten, the Banks bellows hose and hose clamp onto the Banks Ram-Air housing cover.

**18.** Locate the Banks turbo intake hose, tube, and hose clamps from your Banks Ram-Air kit. Loosely assemble the Banks intake hose to the Banks intake tube with the supplied hose clamps. Attach the turbo intake hose to the turbo intake tube. Leave the hose clamps loose.

**19.** Install the Banks Ram-Air intake tube into the Banks bellows. Tighten all the hose clamps to secure the Banks intake tube. See **Figure 7**.

**CAUTION: Ensure intake tube is not touching any engine components.**

**20.** Fasten the Banks air filter cover to the Banks air filter housing using the Banks cover screws and tighten.

**21.** Re-attach the MAF sensor connector to the MAF sensor in the Banks intake tube.

**22.** Make sure to check all hose clamps for tightness and connectors for a sure fit. Make sure that the intake tube is not touching any engine components.

-END, SECTION 1-

**Figure 5**



**Figure 6**



**Figure 7**





# Section 2

## AIR FILTER CLEANING INSTRUCTIONS

### OILED AIR FILTER ONLY

***NOTICE***: The Banks Ram-Air Oiled Air Filter comes pre-oiled and no oiling is necessary for initial installation. Use Banks Ram-Air Filter Cleaning System (part#90094), available from Gale Banks Engineering to service the Air Filter. Follow the instructions included with the cleaning system to clean and re-oil your Bank Ram-Air Oiled Air Filter.

#### 1. PRE-CLEANING

Tap the element to dislodge any large embedded dirt, then gently brush with a soft bristle brush. *NOTE: If complete cleaning is not practical at this time, recoil the element and reinstall in your vehicle.*

#### 2. SPRAY-ON CLEANING

Spray air-filter cleaner liberally onto the entire element and let soak for 10 minutes.

#### 3. PAN CLEANING

Large air-filter elements can be rolled or soaked in a shallow pan of air-filter cleaner. Remove immediately and let soak for approximately 10 minutes.

***NOTICE***: NEVER use gasoline, steam, caustic solutions, strong detergents, high-pressure nozzles, or cleaning solvents to clean the filter element. All of these can cause harm to the filter media as well as SHRINK and HARDEN the rubber end caps.

#### 4. RINSING

Rinse off the element with low-pressure water. Tap water is okay. Always flush from the clean side to dirty side. This removes the dirt

and does not drive it into the filter.

#### 5. DRYING

Always dry naturally. After rinsing, shake off all excess water and let the element dry naturally.

#### 6. AEROSOL OILING

After cleaning air filter always reoil before using. Spray air filter oil down into each pleat with one pass per pleat. Wait 10 minutes and re-oil any white spots still showing.

#### 7. OILING HINTS

Never use a Banks Ram-Air filter without oil (the filter will not stop the dirt without the oil). Use only air filter oil. Air-filter oil is a compound of mineral and animal oil blended with special polymers to form a very efficient tack barrier. Red dye is added to show just where you have applied the oil. Eventually the red color will fade but the oil will remain and filter the air. NEVER USE Automatic Transmission Fluid. NEVER USE Motor Oil. NEVER USE Diesel Fuel. NEVER USE WD40, LPS, or other light-weight oils.

#### 8. REINSTALL

Reinstall your Banks Ram-Air filter element with proper care. Make sure the element seats properly in the filter case. Install the cover making sure it's in the right position. Tighten all the nuts, bolts, screws or clips to factory specifications.

#### 9. DO NOT DISCARD

Affix the "Do Not Discard" sticker to the filter case (included with every Banks replacement element). Make sure you put the sticker in a highly visible place to alert your mechanic not to discard.

#### 10. PERFORMANCE HINTS

Service every 50-100,000 miles on

street-driven applications. Service more often in offroad or heavy-dust conditions. If an air-filter restriction gauge is installed, then change the element when the air-filter restriction reaches 18"–H.O.

**⚠ CAUTION:** **Extremely fine dust from agriculture or offroad use will pull the oil from the element. Frequent reoiling of the element's clean side might be required. Completely service when practicable. For extra protection use an air-filter sealing grease on rubber ends of the element. Service only with air-filter cleaner and air-filter oil.**

## DRY FILTER CLEANING

Clean every 50-100,000 miles on street-driven applications. Clean more often in offroad or heavy-dust conditions. If an air-filter restriction gauge is installed, then change the element when the air-filter restriction reaches 18"–H.O.

### 1. PRE-CLEANING

Carefully tap the air filter element to dislodge any large embedded dirt or debris.

### 2. CLEANING

Spray an appropriate DRY AIR-FILTER CLEANER SOLUTION liberally onto both sides of the entire filter element with the majority applied to the dirty side. Soak for 10 minutes. Do not allow the DRY AIR-FILTER CLEANER SOLUTION to dry on the air filter.

**NOTICE:** **NEVER use gasoline, steam, caustic solutions, strong detergents, high-pressure nozzles, or cleaning solvents to clean the filter element.** All of these can cause harm to the filter media as well as SHRINK and HARDEN the rubber end caps.

### 3. RINSING

Rinse the filter element with cool or warm (not hot) water from the clean side out in order to flush the dirt out of the filter. It may be necessary to use your fingers on the hose to apply light water pressure. Repeat steps 2 and 3, until the water flowing through the media is completely clear of any dirt and debris.

### 5. DRYING

After rinsing, gently shake off excessive water and allow to dry naturally. Re-install the filter onto the intake system, airbox or custom assembly once it is dry or just slightly damp. Follow all original installation instructions.

### 6. REINSTALL

Reinstall your Banks Ram-Air filter element with proper care. Make sure the element seats properly in the filter case. Install the cover making sure it's in the right position. Tighten all the nuts, bolts, screws or clips to factory specifications.

### 7. DO NOT DISCARD

Affix the "Do Not Discard" sticker to the filter case (included with every Banks replacement element). Make sure you put the sticker in a highly visible place to alert your mechanic not to discard.

### 8. PERFORMANCE HINTS

Service every 50-100,000 miles on street-driven applications. Service more often in offroad or heavy-dust conditions. If an air-filter restriction gauge is installed, then change the element when the air-filter restriction reaches 18"–H.O.

-END, SECTION 2-

# Section 3

## BANKS TECHNI-COOLER INSTALLATION

### REMOVE STOCK INTERCOOLER

**1.** Remove the upper grill baffle that mounts between the grill and radiator cross brace. The baffle is held in place by 7 push-in retainers. The retainers are removed by pulling up on the center pin, then prying the retainer out of it's hole as shown in **Figure 9**.

**2.** Remove the grill by disengaging the 8 clips at the outboard ends of the grill and 4 bolts located on top of grill.

**3.** Remove the 6 pushpin fasteners and bolts from both driver's and passenger's side fenderwells.

*NOTE: The fasteners are accessed through the wheel arch opening. Pull the fenderwells down approximately 6 inches once the fasteners are removed. Disconnect the wire harness retaining clips on top of the fenderwell, and then remove the fenderwells from the vehicle.*

**4.** Disconnect the connectors from headlamp assemblies and remove the headlamp assemblies. The headlamp

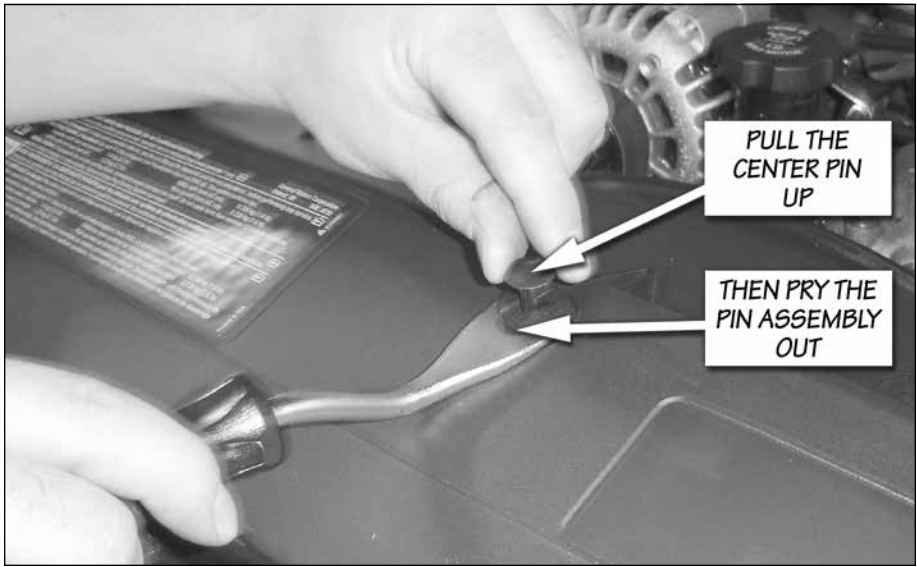
assembly are secured with 3 bolts. Remove the bolts to the headlamp assembly.

Next, remove the bolts (3 per side) to the headlamp assembly / grill support bracket. See **Figure 10**. Disconnect the connectors from the backside of the headlamp assembly from both drivers and passenger headlamp assemblies. Remove the headlamp assemblies.

Slide the headlamp assembly toward the center and forward of the vehicle to remove. The turn signals are built into the headlamp assembly.

**5.** Remove the two bolts that secure the upper fan shroud to the upper radiator cross brace. Remove the four push-in retainers (2 per side) that attach the upper section to the lower section of the fan shroud. These retainers are removed by pulling up on the center pin then prying the entire retainer assembly out as shown in **Figure 9**.

**Figure 9** Removal of push-in retaining pins



**6.** Carefully remove the transmission module from the upper fan shroud. Lay the module to the side. See **Figure 11**.

**7.** Remove the low pressure A/C condenser line from the line retainer attached to the upper fan shroud.

**8.** Remove the upper section of the fan shroud from the vehicle. Take care not to damage the face of the radiator when removing the shroud.

**9.** Remove the two upper condenser mounting bolts that attach to the radiator cross brace.

**10.** Mark the location of the hood latch, then remove the hood latch from the latch support. The latch is held in place by three bolts. The latch support is shown in **Figure 12**. It is not necessary to remove the cable from the latch, just place the latch and cable assembly out of the way.

**11.** Remove the two bolts that attach the latch support to the radiator cross brace and the 4 lower attachment bolts (2 per side). The two bolts that attach the upper support to the radiator cross brace are accessed from the engine compartment side of the vehicle.

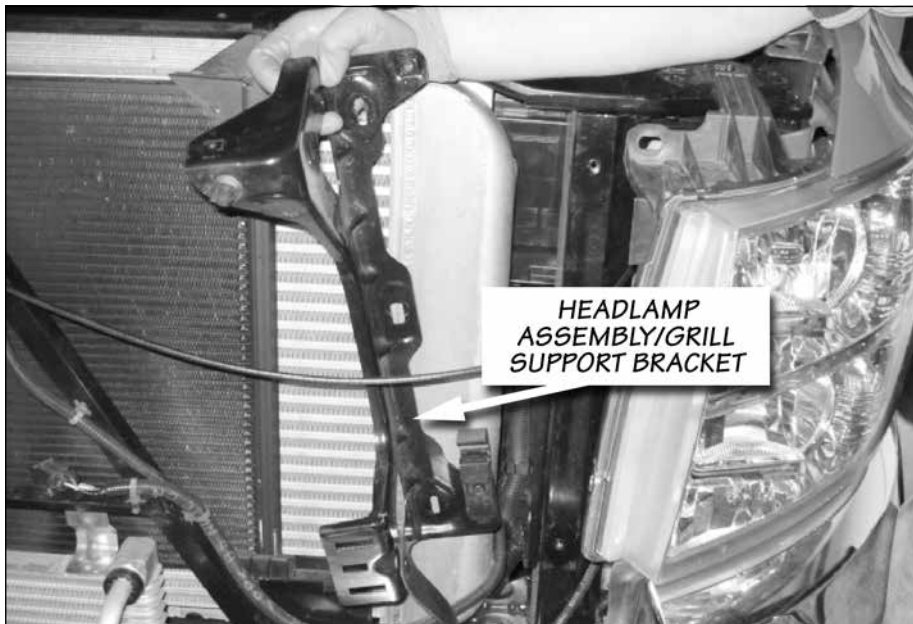
**12.** Only Remove the (2) top oil cooler brackets to free the oil cooler from the latch support bracket. See **Figure 12**.

**13.** Swing the latch support forward as shown in **Figure 13**.

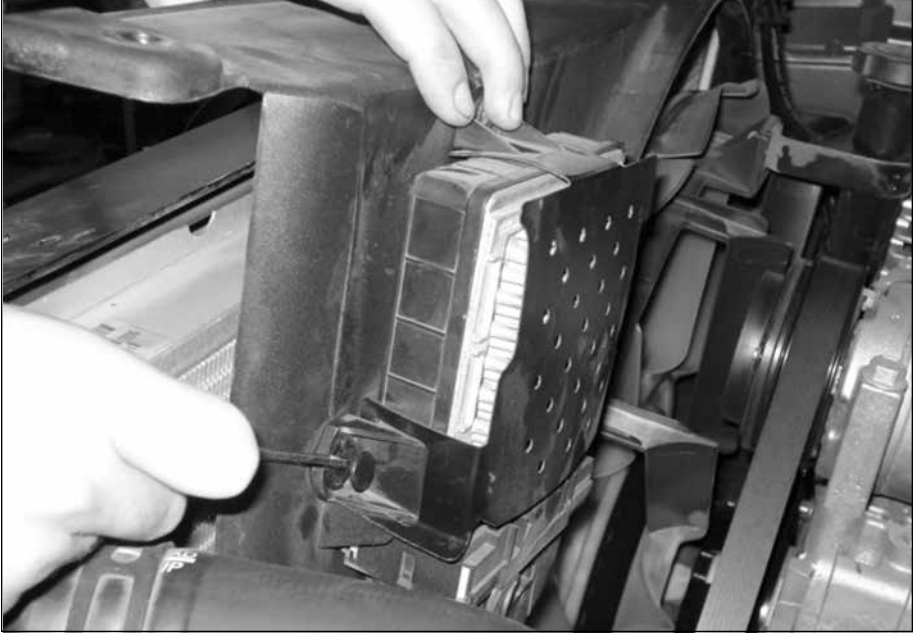
**14.** Pull the air conditioning condenser out of it's lower mounts, and place it against the latch support.

**15.** Remove the two upper Charge Air Cooler (CAC) mounting bolts and unfasten the fender support rod from the cross brace as shown in **Figure 14**.

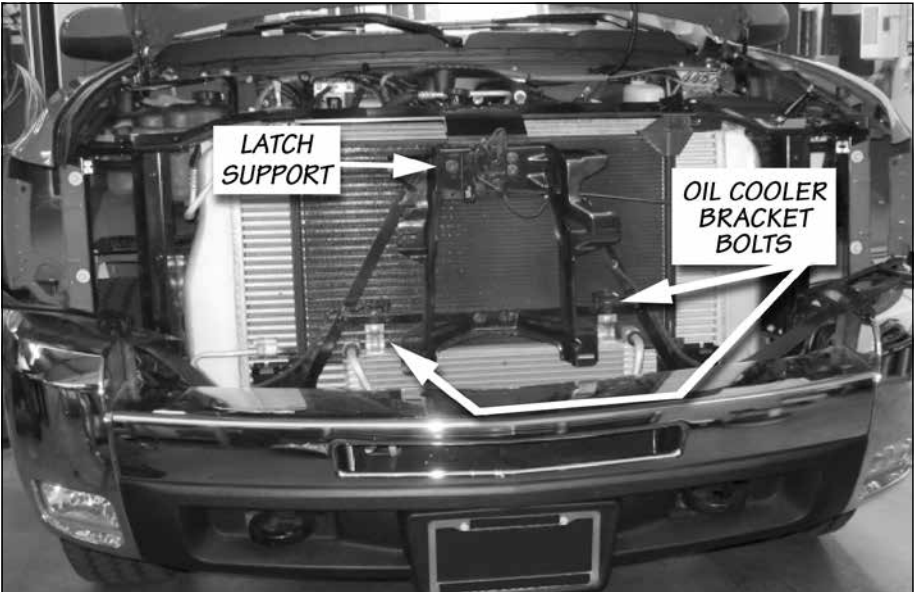
**Figure 10** Headlamp Assembly/Grill support bracket



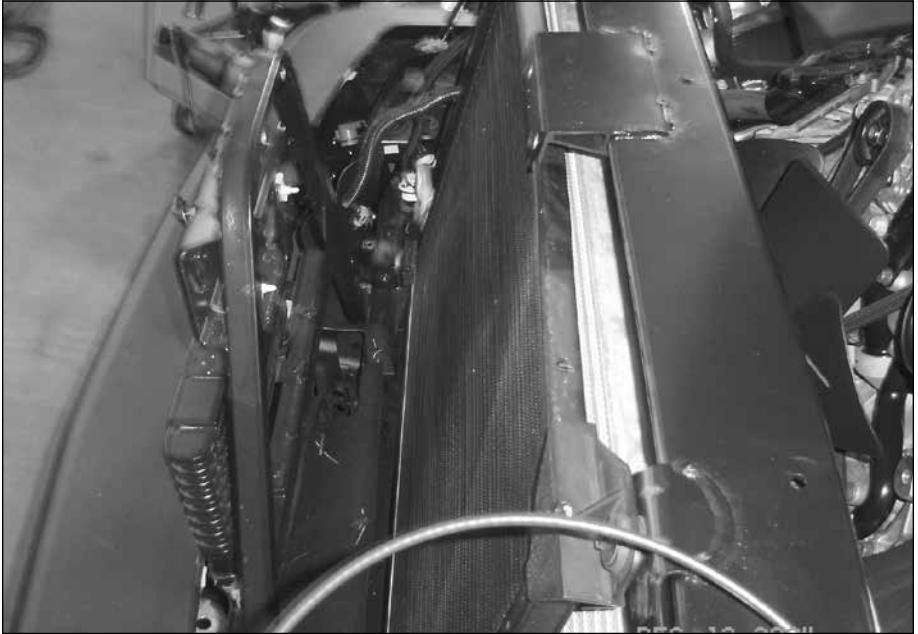
**Figure 11** Transmission module



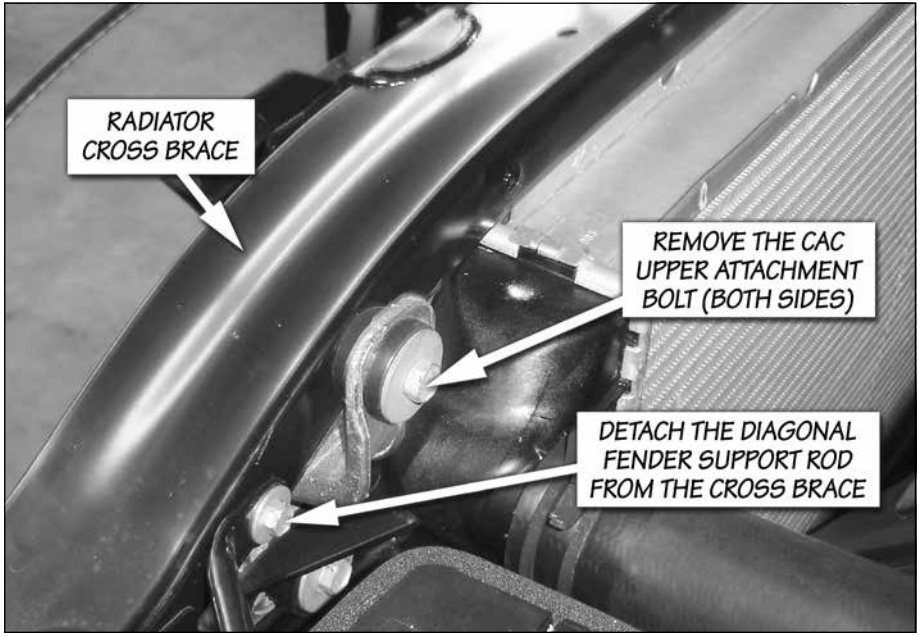
**Figure 12**



**Figure 13** Latch support moved out of the way



**Figure 14** Upper Intercooler (CAC) attachment bolt.



**16.** Remove the 6 bolts (3 per side) that secure the radiator cross brace. The cross brace is shown in **Figure 14**. The bolts are on the bottom side at each end of the support. Remove the cross brace from the vehicle.

**17.** Remove the air box support bracket shown in **Figure 15**. There is an a/c condenser line retaining clip and a plastic fastener that attaches to the inner fenderwell that must be removed before the bracket can be liberated from the vehicle.

**18.** Trim the air box support bracket per the supplied templates (**Templates 1, 2**) in the center of this manual. **Figure 16** shows the bracket before and after trimming.

*NOTE: Paint trimmed edge to protect from rust.*

**19.** Loosen the driver side boost tube hose clamps (**Figure 17**). Remove the boost tube off the charge air cooler (CAC). Do not damage the hoses that

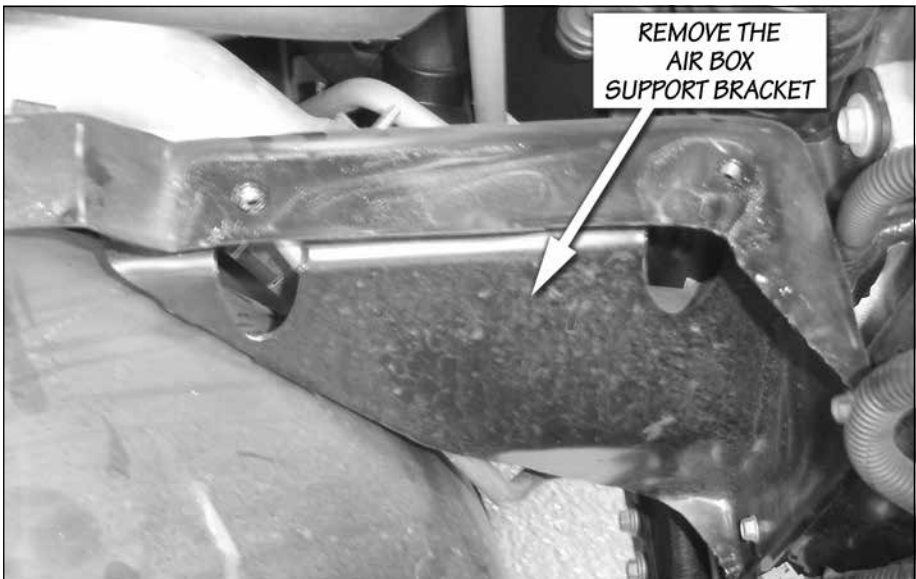
attach to the charge air cooler (CAC), as it will be reused. Cover the hose opening to prevent foreign debris from entering.

**20.** Remove the passenger side boost tube hose. Use a hook or small screwdriver to remove wire-retaining clip (**Figure 18**). Remove the lower, then the upper wire-retaining clip. Use a prying device to detach lower coupling hose connection. Pull off by twisting upper hose coupler (**Figure 19**). Cover the intake manifold and turbocharger discharge to prevent foreign debris from entering during the installation.

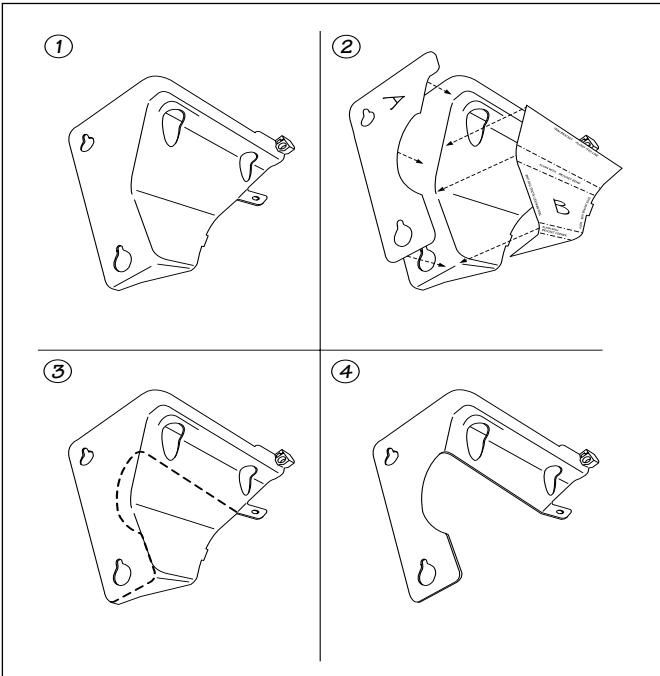
**21.** Remove the radiator attachment bolts. There are four 13mm socket bolts securing the radiator.

**22.** Lift the radiator out of it's lower saddle mounts and position it towards the engine so that it is no longer attached to the charge air cooler. Take care not to damage the radiator cooling fins.

**Figure 15** Air box support bracket



**Figure 16**



**Figure 17** Drivers side boost hose





**Figure 18** Passenger side boost tube



**Figure 19** Passenger side boost tube



**23.** Remove the charge air cooler from the vehicle. Check that the lower mounting peg grommets are removed from the stock intercooler and placed to the side. The lower rubber grommet will be transferred to the Banks Techni-Cooler in the next step.

### **INSTALL BANKS TECHNI-COOLER**

**24.** Locate the supplied Banks Techni-Cooler and transfer both top and bottom rubber grommets and corresponding metal sleeve into position on the Banks charge air cooler.

**25.** Install the Banks CAC into the vehicle. Align the lower CAC mounting pegs with the rubber mounts in the vehicle's frame. There is a significant amount of play in the rubber mounts that can allow them to be aligned with the CAC as required.

**26.** Reinstall the radiator cross brace. Leave the attachment bolts loose to aid in aligning the CAC with the support.

**27.** Reinstall the radiator onto CAC. Secure the radiator to the Banks CAC with  $\frac{5}{16}$ "-18 x  $1\frac{1}{8}$  bolts and large OD washers supplied in the Banks system. Tighten to 10-12 ft-lbs.

*NOTE: Install the top two bolts 1st then install the bottom two bolts. It may be helpful to use a pry bar or similar to assist in aligning the screw holes between the radiator and the Banks Techni-Cooler.*

**28.** Install the upper CAC attachment bolts that were previously removed. There is enough play in the lower mounting pads that the CAC can be positioned to align with the upper cross brace. Tighten the bolts.

**29.** Tighten the 6 radiator-cross brace bolts to 80 in-lbs. Install the diagonal fender support brace and tighten the bolts.

**30.** Install the upper fan shroud. The push-in retainers that secure the upper shroud to the lower shroud are secured by inserting the retainer with the center pin pulled out. Once the retainer is inserted, press the center pin down to secure the retainer. Install the stock upper fan shroud bolts and tighten to 80 in-lbs.

*NOTE: Check that the engine-cooling fan can freely spin without contacting the lower fan shroud. If the fan contacts the shroud, the shroud must be realigned with the radiator.*

**31.** Install the transmission control module to the upper fan shroud.

**32.** Install the a/c condenser and tighten it's upper mounting bolts to 80 in-lbs.

**33.** Install the latch support. Tighten it's six attachment bolts to 80 in-lbs.

**34.** Install the hood latch. Position it so that it aligns with the marks that were made on the latch support prior to it's removal. Tighten it's bolts to 80 in-lbs.

**35.** Install the driver and passenger side plastic headlamp support structures. Tighten the screws to 80 in-lbs.

**36.** Install the light bulbs into the park/turn signal lamp assemblies. These are held in place by turning them clockwise. Install the park/turn signal lamp assembly onto the vehicle for both the driver and passenger side.

**37.** Install the electrical connectors to the headlamp assembly. Install the headlamp assemblies and secure them with their retaining pins.

**38.** Install the grill by snapping in the tabs into the retainer clips.

**39.** Install the upper grill baffle and secure with the seven push-in retainers that were previously removed. The push-in retainers that secure the grill baffle are secured by inserting the retainer with the center pin pulled out. Once the retainer is inserted, press the center pin down to secure the retainer.

**40.** Before slipping any boost tubes and the corresponding hoses into position, ensure that all connection ends are clean and free of any oil residue and contaminants. Clean the compressor outlet and all connection points with a non-oil based solvent such as Acetone, Mineral Spirits, Denatured Alcohol or Lacquer Thinner. Read and follow the manufacturer's operation instruction for non-oil based solvent cleaner.

*NOTE: Make sure to remove any rags or items that were used to cover the turbo and intake manifold openings before installing the boost tubes.*

**41.** Install the driver and passenger side boost tubes. Tighten the driver side hose clamps to 75 in-lbs. Make sure when reinstalling the passenger side boost tube that the hose coupler fits tight and flush to its respective mounting location, then reinstall the wire retaining clip.

*NOTE: The a/c line that runs near the intake manifold will need to be bent downward to provide clearance for the boost tube. The a/c line can be bent by placing a wooden block on the a/c line, then lightly tapping the block with a hammer.*

**42.** Install the lower air cleaner support bracket. Tighten the bolts to 80 in-lbs.

Return back to **Section 1**, step 7.

-END, SECTION 3-

# Section 4

## INSTALLATION OF WIRING HARNESS, CONNECTIONS AND ECONOMIND DIESEL TUNER

The Banks EconoMind Diesel Tuner has six power levels adjustable by the supplied EconoMind Switch, or six power levels adjustable by the optional Banks iQ.

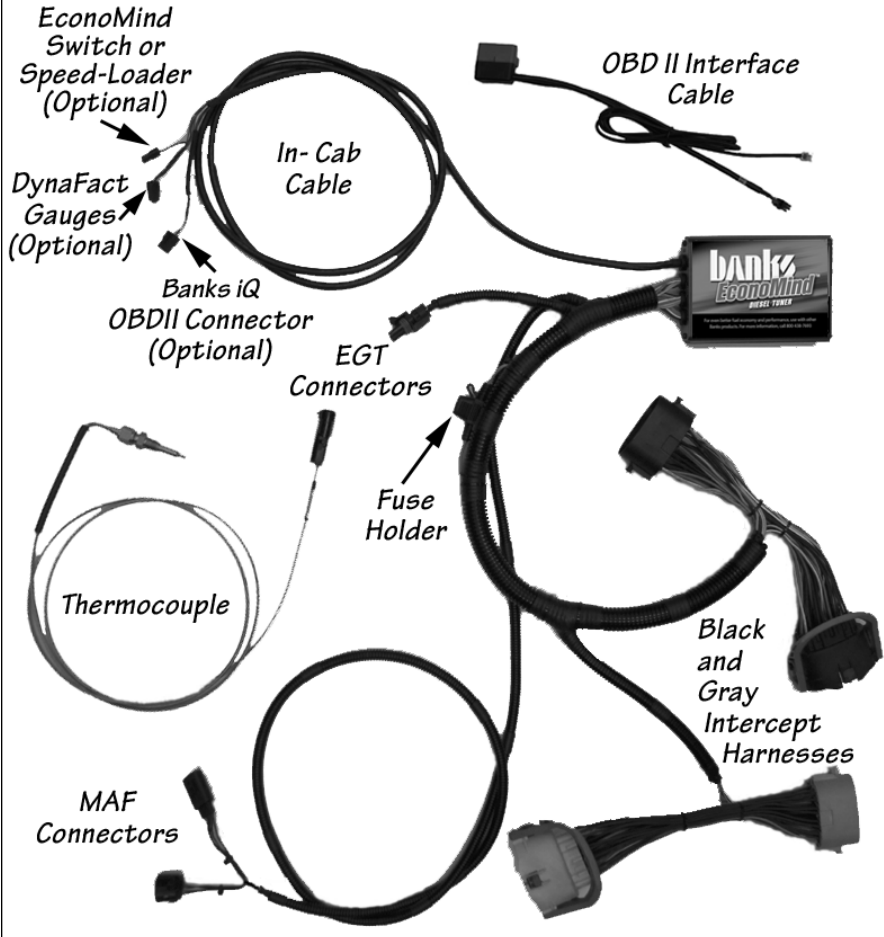
Level 1 is stock and level 6 is max power. Each additional higher level adds approximately 20% of the available power increase.

**WARNING: Banks iQ may be susceptible to damage as a result of extended exposure to sunlight, heat or extreme cold. It is highly recommended that Banks iQ be removed from it's mounting location if the vehicle will be subjected to high concentrations of sunlight, heat or cold for an extended period of time. Gale Banks Engineering is not responsible for damage to Banks iQ resulting from exposure conditions.**

| Description                    | Kit               |           |
|--------------------------------|-------------------|-----------|
|                                | w/Banks iQ option | w/ Switch |
| Module, EconoMind Diesel Tuner | 1                 | 1         |
| Switch Kit                     |                   | 1         |
| Cable Ties, 7"                 | 15                | 20        |
| Banks iQ System                | 1                 |           |
| Window Mount Kit               | 1                 |           |
| OBD-II Interface Cable         | 1                 |           |
| Thermocouple                   | 1                 |           |
| Cable Tie, 5"                  | 5                 |           |
| Cable Tie, 11"                 | 1                 |           |
| Banks iQ Bridge Module         | 1                 |           |

| Optional               | Part Number |
|------------------------|-------------|
| Banks iQ System        | 61145       |
| Gauges, Boost and Pyro | 64507       |

**Figure 20 EconoMind Tuner and supplied wiring harness**



**1.** Place the Banks EconoMind Tuner on top of the fuse box cover. Direct the wire harness towards the rear of the vehicle as shown in **Figure 21**.

*NOTE: Do not attach the Tuner at this time.*

**2.** Locate the black and gray wire harness locking connectors between the brake fluid reservoir and the air

conditioning compressor. Slide the green locking tabs back and lift the blue connector locks to disconnect the connector pairs. See **Figure 22**.

*NOTE: A small screwdriver may help in lifting the blue connector locks. Take care not to break the plastic on the connectors.*

**Figure 21**



*NOTE: It may be necessary to open the wire harness retainer clip(s) with a screwdriver for added slack when joining the connectors together.*

**3.** Insert the male gray connector on the EconoMind harness into the female gray connector on the factory harness. Insert the female gray connector on the EconoMind harness onto the male gray connector of the factory harness. Repeat this process with the black connectors. See **Figure 22**.

**4.** Go to the air box and remove the stock mass air flow (MAF) connector located on the elbow of the air box cover and set aside.

**5.** Locate the MAF connector from the EconoMind Tuner harness and route as shown in **Figure 23**. Follow the factory harness located on top of the engine that runs in front of the intake manifold and behind the alternator.

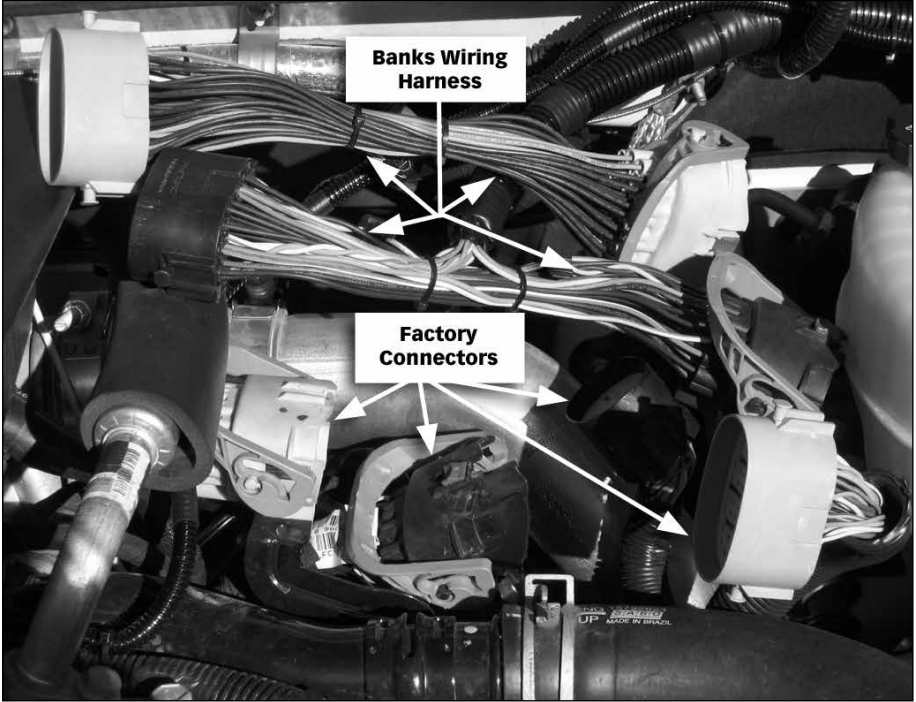
**6.** Connect the EconoMind Tuner's (female) MAF connector to the factory (male) MAF sensor and connect the factory (female) MAF connector to the EconoMind's (male) MAF connector.

**7.** Locate the rubber grommet on the driver's side of the vehicle firewall. The grommet is about 3" in diameter. Make a 1" x 1" cross-shaped (X) incision in the grommet. Be careful so you do not cut the factory harness.

**8.** From inside the cab locate the grommet on the firewall and make another 1" x 1" cross-shaped (X) incision on the grommet, opposite the spot that was cut from the outside. Now, feed the In-Cab cable through the incision made in the firewall grommet and into the cab (**Figure 24**).

*NOTE: Some thick putty may be used to provide additional sealing around the In-Cab cable and the grommet.*

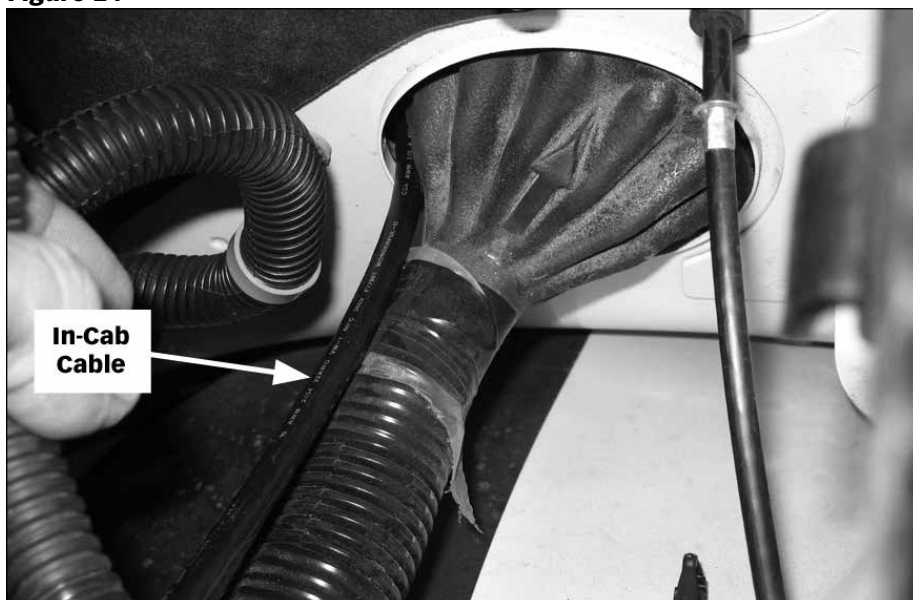
**Figure 22**



**Figure 23**



**Figure 24**



**9.** Position the Tuner on the fuse box cover for an idea of where to clean. The Tuner must be mounted as close to the inside (engine side) edge as possible to avoid a hood clearance issue. Check the hood clearance before attaching the Tuner to the fuse box. Clean the top of the fuse box cover located on the drivers' side of the engine compartment. Make sure the outside of the fuse box is free of oil, grease and dirt.

*NOTE: Clean the fuse box cover with a non-oil based solvent such as Acetone, Mineral Spirits, Denatured Alcohol or Lacquer Thinner. Read and follow the manufacture's operation instruction for non-oil based solvent cleaner.*

**WARNING: Make sure to place the Tuner as shown in Figure 20 to avoid a clearance issue when closing the hood. Mount the EconoMind Tuner as close to the inside (engine side) edge of the fuse cover as possible. Verify**

**you have hood clearance before mounting the Tuner.**

**10.** Peel the protective backing from the hook and loop interlocking fasteners attached to the EconoMind Diesel Tuner. Position the side edge of the EconoMind Diesel Tuner to the edge closest to the engine of the fuse cover, then press the adhesive onto the outside of the fuse box cover. Apply light pressure to the EconoMind Diesel Tuner by hand for 60-seconds to create a strong bond between the fuse box and hook & loop interlocking fasteners. Using the supplied cable ties, secure the wire harness away from any heat sources or moving components.

**CAUTION: When securing the wires, do not bend them any tighter than a 2.5" diameter bend as this can cause undue stress on the wires and may cause failure.**

-END, SECTION 4-



# Section 5

## MOUNTING AND CONNECTING THE BANKS IQ

If not installing the optional Banks iQ, skip to **Section 6**.

**WARNING:** Below 32° F (0°C) or above 140° F (60°C), the Banks iQ may be susceptible to damage as a result of extended direct exposure to sunlight, heat, or extreme cold. It is highly recommended that the Banks iQ be removed from its mounting location if the vehicle will be subjected to these conditions for an extended period of time. Gale Banks Engineering is not responsible for damage to Banks iQ resulting from exposure conditions.

**CAUTION:** Do not use force when working on plastic parts. Permanent damage to the part might result.

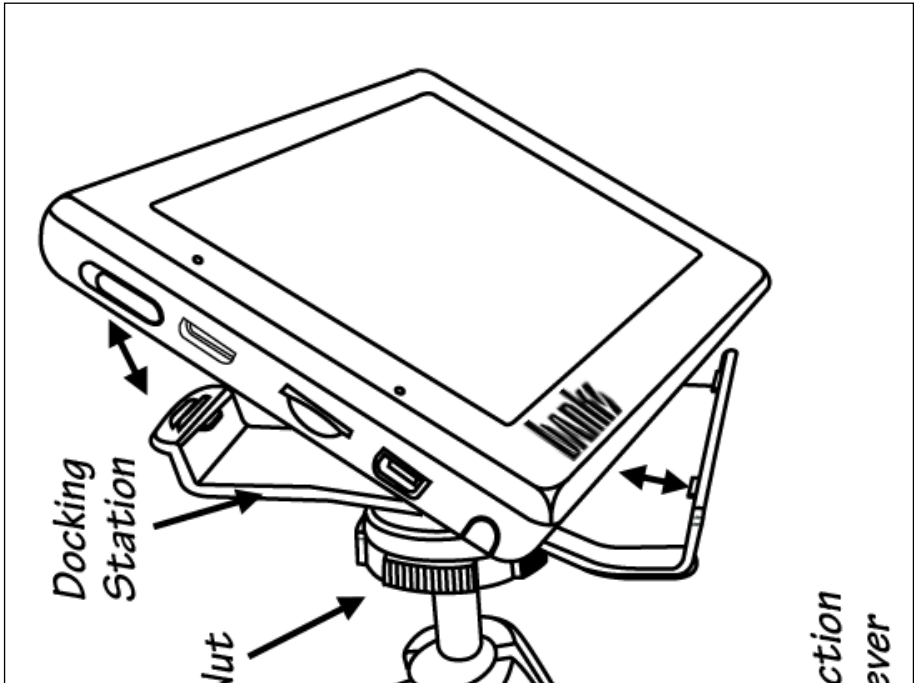
**1.** Locate the Window Mount Assembly in your kit.

**2.** Assemble the Banks iQ docking station to the Universal mount by inserting and sliding the Universal mount tab into the docking station groove. Hand tighten the nut behind the docking station to hold the docking station in place.

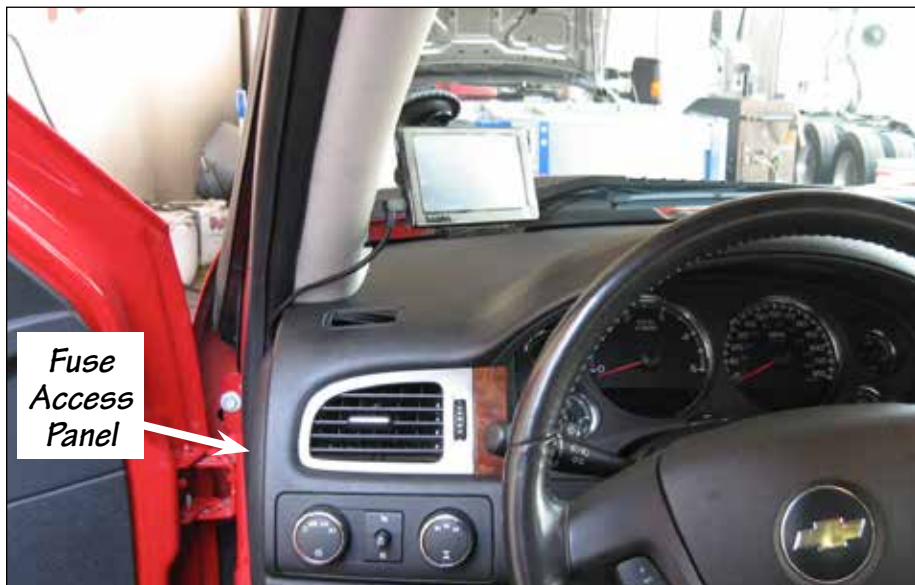
**3.** Attach the window mount to your Banks iQ. See **Figure 25**. Align and place the two (2) lower tabs on the window mount to the corresponding slots on the bottom of Banks iQ first then snap the top of Banks iQ into place.

*NOTE:* There may be a snug fit when installing the Banks iQ into the window mount. Take care not to force this process.

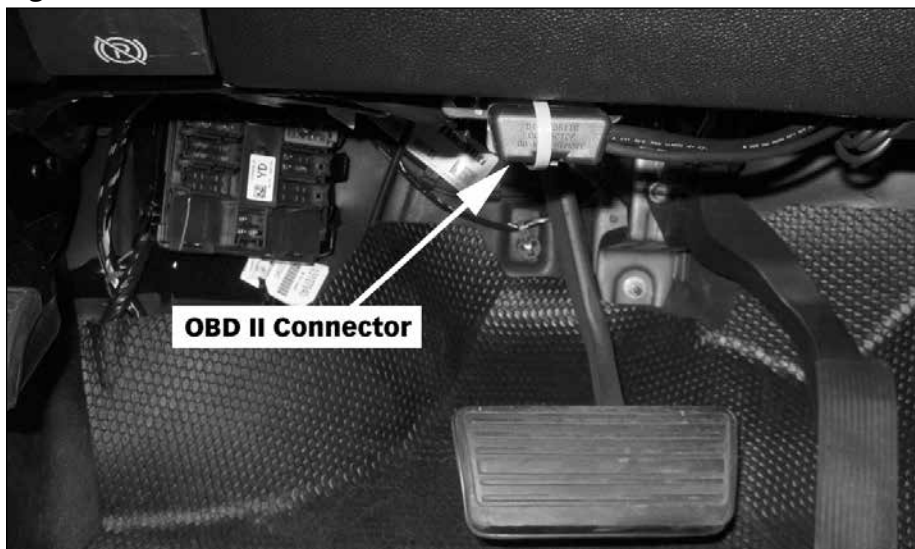
**Figure 25** Attaching Banks iQ to window mount



**Figure 26** Chevy LMM Shown

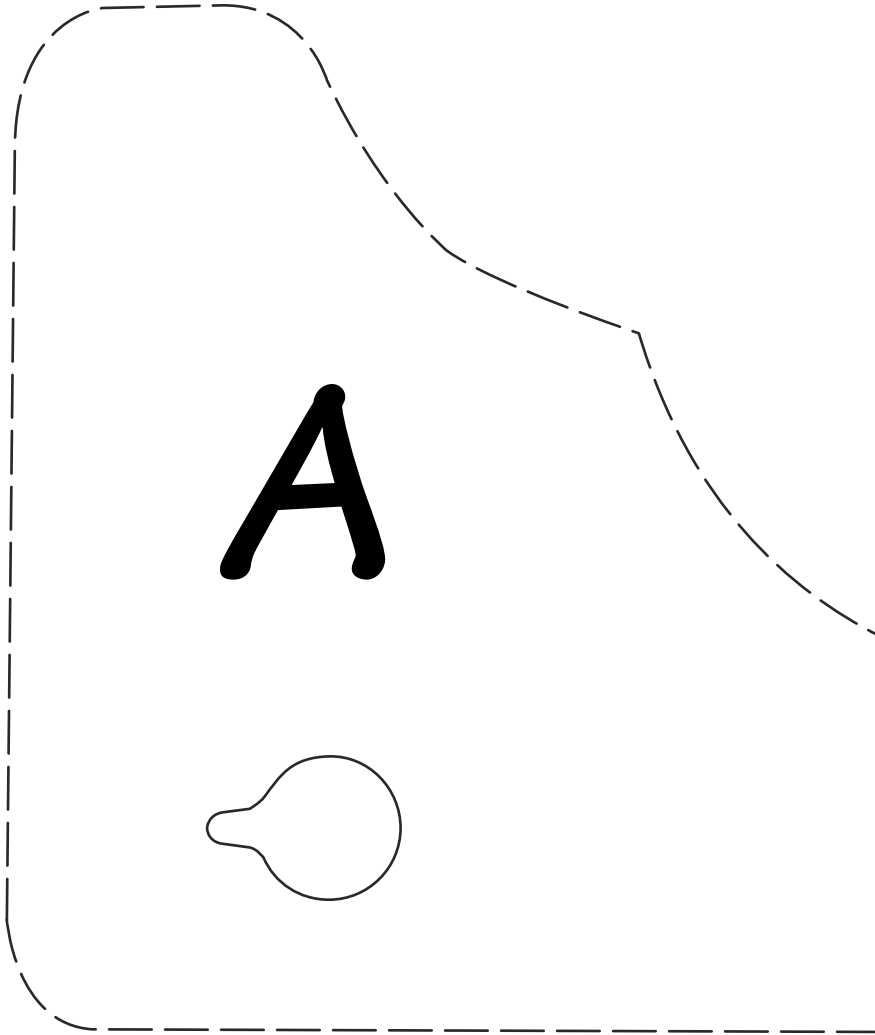


**Figure 27**



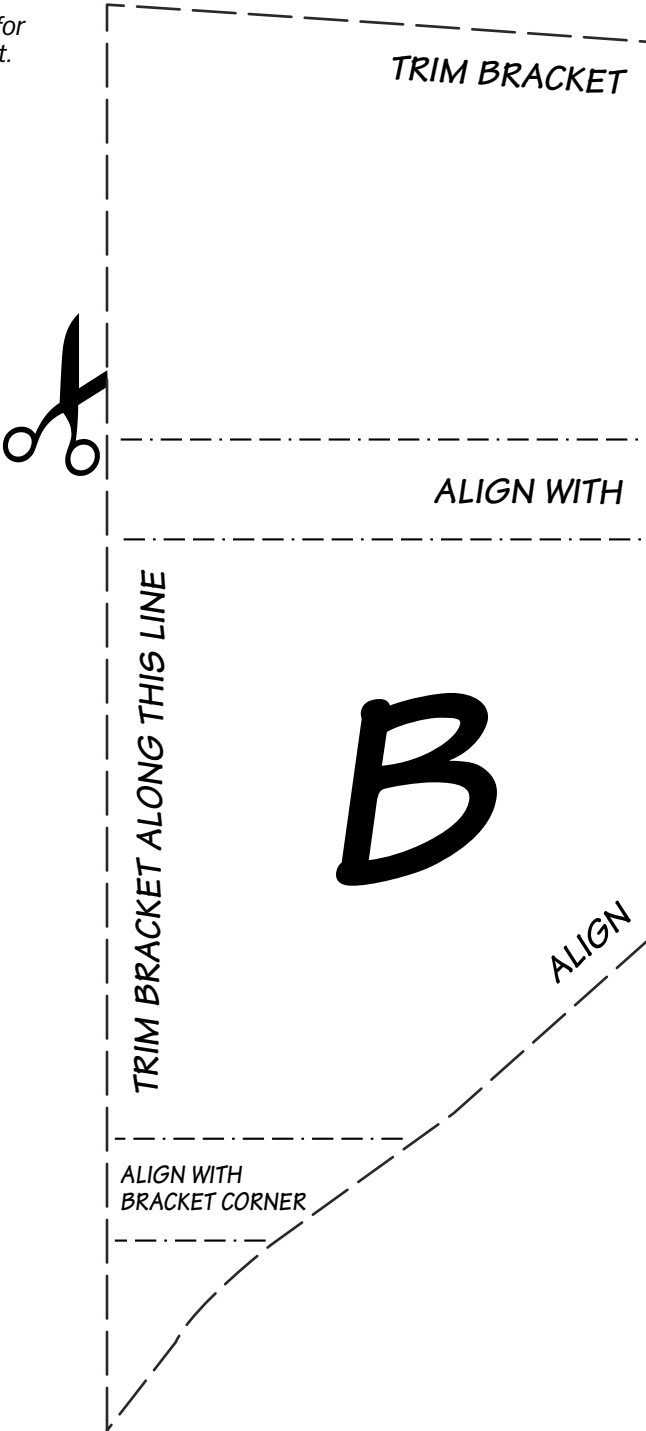
**This page left blank intentionally**

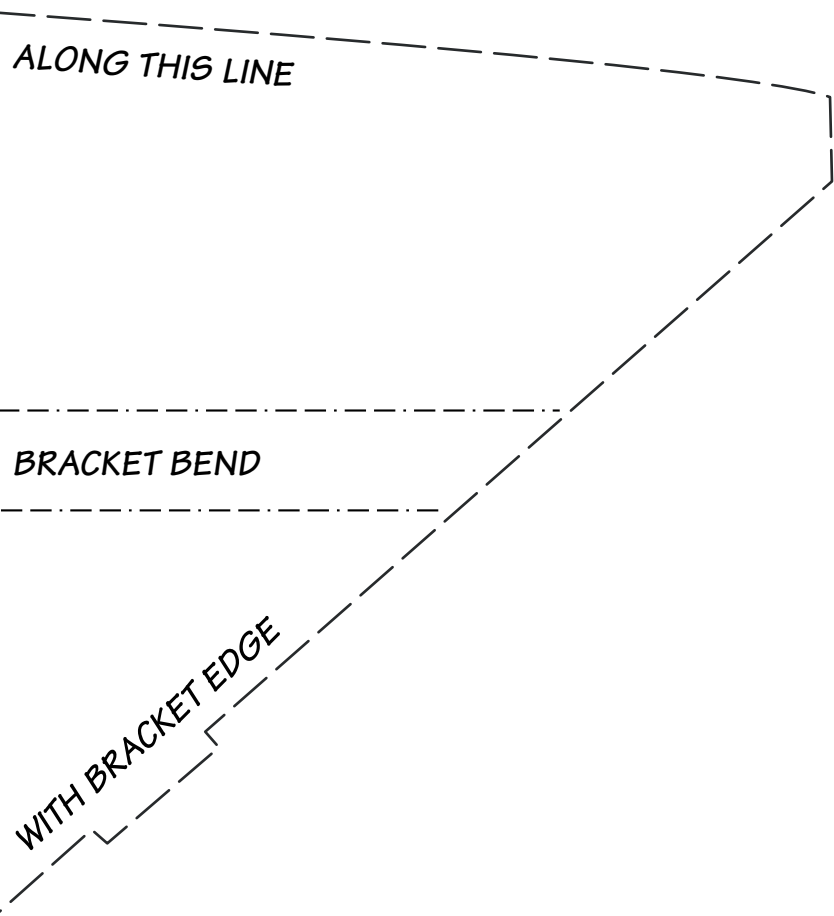
**Template 2** Trim template for the air box-mounting bracket.



**This page left blank intentionally**

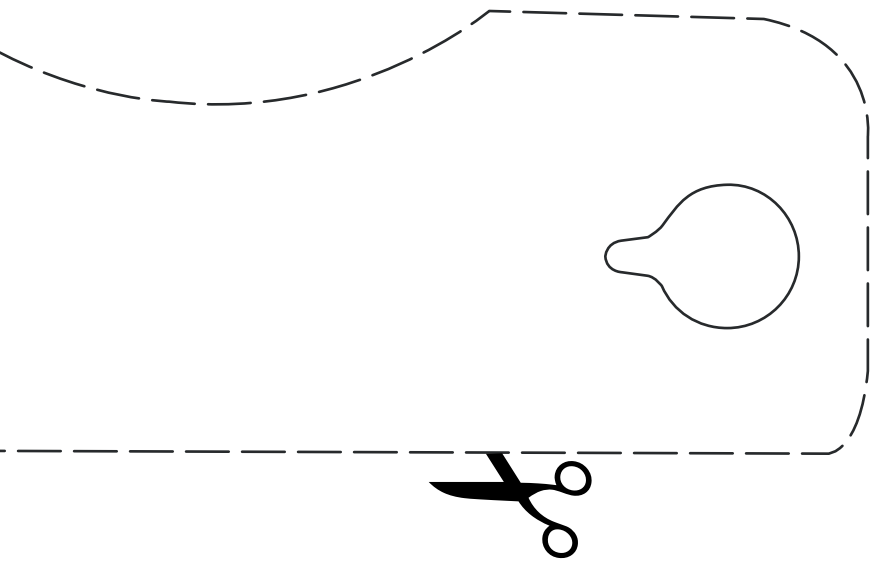
**Template 1** Trim template for the air box-mounting bracket.





**This page left blank intentionally**





**This page left blank intentionally**

**4.** Find a suitable place on the windshield for ease of access and viewing of Banks iQ. Use location shown in **Figure 26** as a reference for mounting Banks iQ in your vehicle. Loosen the knob and move the swivel suction plate to achieve desired viewing angle of the Banks iQ screen. Do a test fit and note the angle necessary to achieve the correct viewing angle.

**5.** Make sure the suction cup and the mounting area on the windshield are clean and dry.. With the suction lever in the up position, ensure the suction cup is flat against the windshield, and then push the suction lever down to secure in place.

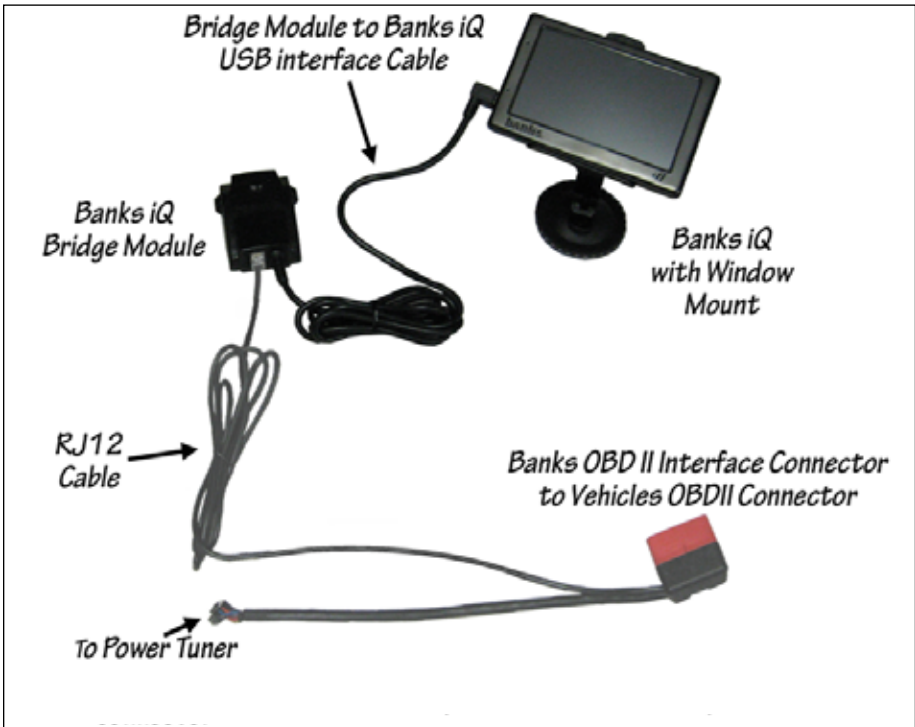
**6.** Next, remove and set the fuse access panel aside. See **Figure 26**.

**7.** Find the Banks OBD II Interface Cable in your kit. Connect the Banks Interface Cable to the vehicle's OBD II connector. Use a cable tie as shown in **Figure 27** to secure the Banks Interface Cable to the vehicle's OBD II connector.

**8.** Next, connect the 6-terminal connector on the Banks OBD II Interface Cable to the 6-pin connector on the Six-Gun Tuner harness.

**9.** Locate the RJ12 Cable (similar to telephone connector) on your Banks OBDII interface cable. See **Figure 28**.

**Figure 28 Banks iQ System**



**10.** Locate Banks iQ Bridge Module and connect the RJ12 connector into the Bridge Module. See **Figure 29**.

**11.** Route the Banks iQ USB interface cable from the Banks iQ Bridge Module under the dash and out through the fuse access panel opening. The cable can be slid under the door frame's seal and run up to the top of the dash. Pull enough cable to reach the Banks iQ and connect it to the left receptacle on the iQ. See **Figure 28**. Snap the fuse access panel back in place making sure not to pinch the wire.

**WARNING: THE CHARGING CABLE CONNECTED TO THE BANKS IQ IS DESIGNED TO SUPPLY A CONSTANT LOW-VOLTAGE POWER SOURCE (+5VDC) TO THE BANKS IQ AND IS "LIVE" AS LONG AS THE SYSTEM'S OBD II INTERFACE CABLE OR BANKS WIRING HARNESS IS COMPLETELY INSTALLED AND THE USB CABLE**

**CONNECTOR IS PLUGGED INTO BANKS IQ. ALTHOUGH THIS CHARGING CABLE IS SHORT AND ITS CIRCUITRY IS FUSE-PROTECTED, THE USER IS EXPECTED TO TAKE APPROPRIATE MEASURES TO PREVENT SMALL CHILDREN AND/OR PETS FROM CONTACT WITH ANY PART OF THIS SYSTEM.**

**12.** Secure Banks iQ Bridge Module under the dash to any dash frame support using the supplied cable ties. Use the cable tie support loops on the side of the Bridge Module to securely fasten it under the dash.

**13.** Route all wiring away from any pedals or other moving components. Using the cable ties supplied, secure the wiring under the dash.

**14.** Re-connect the negative (ground) cable(s).

-END, SECTION 5-

**Figure 29** Banks Bridge Module



# Section 6

## INSTALLATION OF THE (OPTIONAL) ECONOMIND SELECTOR SWITCH

Not needed if the optional Banks iQ is installed.

**CAUTION: Do not use force when working on plastic parts. Permanent damage to the part may result.**

*NOTE: Before drilling, confirm that there is adequate room for the Switch and wires behind the dash. Make sure wires or obstructions are cleared from the drilling area.*

*From where the EconoMind Switch will be located, make sure there is enough wire on the In-Cab Cable to reach the Switch.*

**1.** The EconoMind Switch can be installed on the driver's side of the instrument panel (IP) to the left side of the steering column. There are two dash types: Dash 1 (**Figures 30, 31**) and Dash 2 (**Figures 32, 33**).

*NOTE: These are just suggested locations. It is possible to locate the EconoMind Switch where it is more comfortable. Please confirm space behind dash before drilling.*

**2.** To install on the driver's side IP (Dash 1, **Figure 30**):

Pull the IP trim out by pulling the top edge above the vent as shown in **Figure 34**. Disconnect any switch wires.

**3.** Cut out the supplied template, **Template 3**, and align the dashed lines to the edge of the IP where you would like to mount the Switch. Tape the template in place. Continue to Step 7.

**4.** To install the Switch to the left side of the steering column (Dash 2 **Figure 33**):

**Figure 30**



**Figure 31**



**Figure 32**



**Figure 33**



**Figure 34**



Remove the fuse access panel shown in **Figure 26**. Remove the lower knee bolster panel by removing the 2 Phillips screws on the lower edge of the panel. Using a 10mm socket and ratchet, unbolt the brake release lever. Pull the panel out by grasping it on either side of the steering column and pull out as shown in **Figure 35**. Disconnect any switch wires.

**5.** Cut out the supplied template, **Template 3** in the back of the manual, and align the template to the right edge of the IP to the left of the steering column. Tape the template in place. A 90° drill will be needed to drill the hole. Continue to Step 7.

**6.** To install Switch as shown in **Figures 31 & 32**:

Follow Step 4 to remove the IP for both Dash styles. Cut out the supplied template, **Template 4** in the back of the manual, and align the template

onto the rear of the knee bolster, squarely seating it into the panel corner as shown in **Figure 36**.

**7.** Using a 3/8" Uni-bit step drill bit or a 3/8" drill bit, center the bit onto the 3/8" drill location on the template and slowly drill through the IP. Using a 1/8" drill bit, center and drill through the 1/8" location on the template. Remove and discard the template and any plastic shavings.

**8.** On the front side of where the Switch will be mounted, clean the area with some alcohol and allow it to dry. Remove the backing from the EconoMind Label and align it over the previously drilled hole.

**9.** Remove the nut and internal tooth washer from the EconoMind Switch. Rotate the shaft counter clockwise until the shaft stops. Verify the locating washer tab is inserted into the #6 position on the Switch (**Figure 37**).

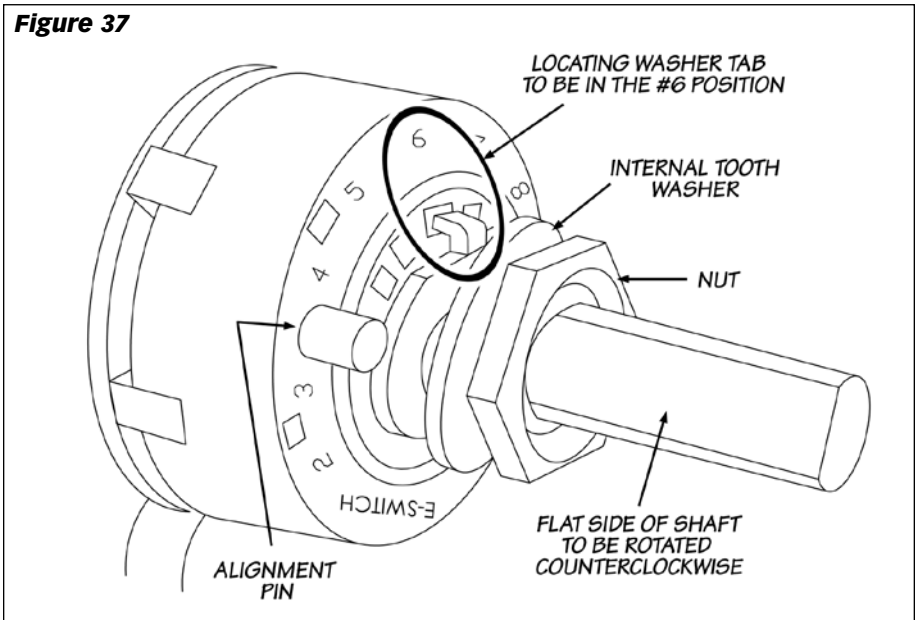
**Figure 35**



**Figure 36- Rear template used**



**Figure 37**





*NOTE: If the washer is in any position other than the #6, your EconoMind Diesel Tuner will not select power levels properly.*

**10.** After confirming the locating washer is in the #6 location, install the Switch through the  $\frac{3}{8}$ " hole. The alignment pin should rest in the  $\frac{1}{8}$ " hole. With the Switch fully rotated counter clockwise the shaft's flat side should be facing the driver's side door. Secure the Switch with the internal tooth washer and nut. Snug the washer; be careful not to over torque the nut and damage the plastic threads.

**11.** Install the knob onto the shaft facing the #1 Level on the EconoMind

label. On the knob, snug the two (2) set screws with the supplied 0.050" hex key wrench.

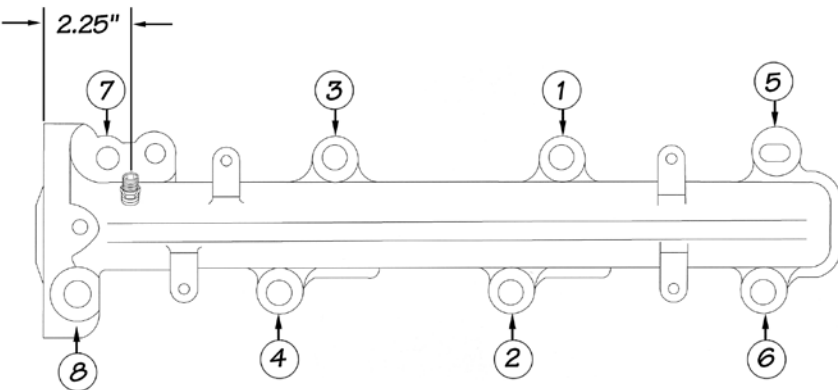
**12.** Route the EconoMind Switch Cable down to the EconoMind Diesel Tuner's In-Cab Cable underneath the dashboard, and reinstall any panel(s) that were removed.

*NOTE: Take care to keep any cables away from the pedals or where they could become tangled.*

**13.** Connect the EconoMind Switch's 2-terminal receptacle to the 2-terminal plug on the EconoMind Diesel Tuner's In-Cab Cable.

-END, SECTION 6-

**Figure 38**



# Section 7

## THERMOCOUPLE INSTALLATION

**1.** The thermocouple monitors the temperature of the exhaust gases entering the turbocharger at the turbine housing. Installation requires that the exhaust manifold be drilled near the manifold outlet. It is recommended that the manifold be removed from the engine to thoroughly clean out all metal chips from drilling. If the manifold is not removed from the vehicle, all chips must be removed from the manifold. This may be accomplished by using a magnet to extract the chips after drilling. The tap should be greased before use and the chips again be removed with a magnet. All metal shavings must be cleaned from the manifold to avoid turbine damage.

**2.** Access the exhaust manifold from the front passenger fenderwell.

**3.** On the passenger side, remove the hardware retaining the turbine inlet exhaust pipe to the exhaust manifold. Then, remove the exhaust manifold from vehicle. Pay special attention to the orientation of the manifold outlet gasket. Retain the hardware and gaskets for re-assembly.

**4.** Center punch and drill through the passenger side exhaust manifold into the rear passage at the location shown in **Figure 38**. Use an "R" drill bit, keeping the drill perpendicular to the manifold surface.

**5.** Tap the drilled hole with a 1/8" NPT pipe tap. Check the thread depth as you tap by periodically removing the tap and screwing the thermocouple insert into the tapped hole. The thermocouple insert should be tight and snug when half it's threads are screwed into the manifold.

**6.** Install the thermocouple insert into the manifold using anti-seize

compound on the threads. Install the probe in the thermocouple insert.

**7.** Make sure to remove all shavings from inside the exhaust manifold. Reinstall the exhaust manifold. Torque to 28 lb-ft (38 Nm) in the sequence shown in **Figure 38**.

**8.** Route the thermocouple connector along the factory harness to the driver's side and connect it to the EconoMind's EGT connector. Use the supplied cable ties to secure the harness.

*NOTE: Once the EconoMind Diesel Tuner is powered up at key-on, it will 'learn' that a thermocouple is installed and automatically enable the EGT limiting function.*

If the thermocouple is removed after being installed and run on the vehicle, the EconoMind Diesel Tuner will assume that the sensor or connection has gone bad and will cease adding power while triggering the [2,3] diagnostic code (see Troubleshooting Section).

*NOTE: EconoMind Will not function without required thermocouple.*

**9.** Install the driver's side and passenger's side fenderwells. The charge air temperature before the CAC approaches 400°F at full load. So, take care to route wiring away from the driver side boost tube and re-install the factory wire retainers on the fenderwell cover.

-END, SECTION 7-

# Section 8

## MONSTER EXHAUST SINGLE SYSTEM INSTALLATION

**1.** Raise the vehicle and support it with properly weight rated safety stands, ramps, or a commercial hoist. Follow the manufacturer's safety precautions. Take care to balance the vehicle to prevent it from slipping or falling. When using ramps, be sure the front wheels are centered squarely on the topsides; place the transmission in park; set the parking brake and place blocks behind the rear wheels.

**CAUTION: Do Not Work Under Any Vehicle Supported Only By A Jack. Severe Injury May Result.**

**WARNING! The following step may require the use of a torch and/or saw. Proper safety equipment should be used. Failure to use proper safety equipment may result in severe injury.**

**2.** Removal of the factory exhaust can be simplified by cutting the factory exhaust pipe behind the muffler. This will allow the tailpipe to be removed as a separate piece.

**3.** Remove the factory tailpipe from the vehicle by disengaging the exhaust system hanger pins from the rubber hangers using a large screw-driver or pry bar.

*NOTE: Lubricating the rubber hangers with WD-40 or similar lubricant will ease removal of the hanger pins.*

**4.** Remove the factory muffler from the vehicle by removing the three (3) nuts from the factory exhaust flange located at the factory muffler inlet.

**5.** Install the Banks flanged intermediate pipe and 3-bolt gasket onto the headpipe. Loosely assemble with the supplied bolts, washers, and nuts.

**6.** Slide the supplied 4" exhaust hanger clamp onto the outlet of the Banks flanged intermediate pipe. Insert

the hanger pin into the factory rubber hanger.

**7.** Route the front tailpipe over the rear axle housing and install onto the flanged intermediate pipe outlet. Be sure that the two pipes are completely engaged. Loosely snug the 4" hanger clamp.

**8.** Install a 4" exhaust clamp onto the inlet of the rear tailpipe. Install the rear tailpipe onto the outlet of the front tailpipe. Insert the rear tailpipe hanger pin into the factory rubber hanger. Rotate the tailpipe until the hanger pins are parallel with the frame mounted pin. Slide the 4" clamp and position as shown in **Figure 40**. Loosely snug the 4" clamp.

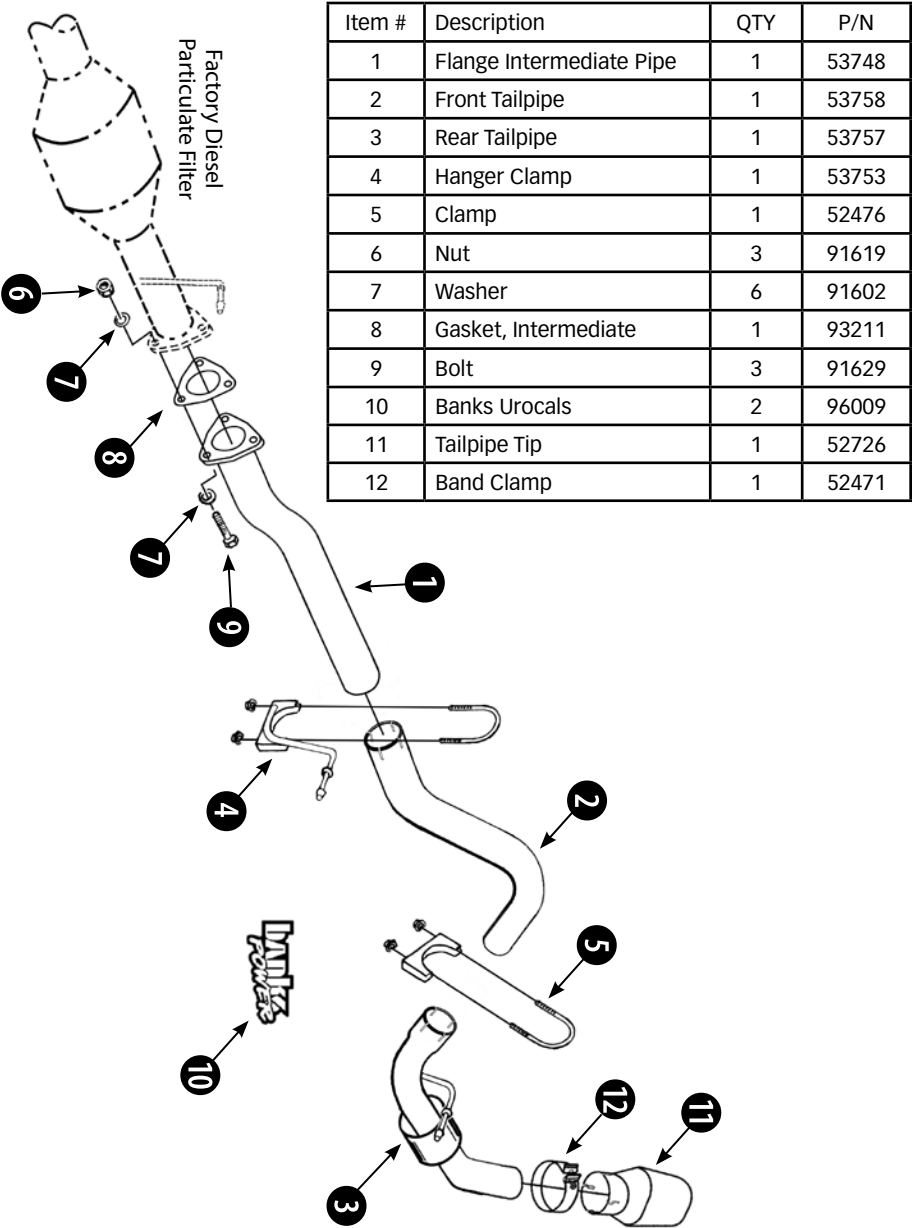
*NOTES: Maintain an adequate air gap clearance of one (1) inch between the exhaust and the shock absorber and between the exhaust and the spare tire.*

*Minimum distance between exhaust tip and body is one (1) inch.*

**9.** Route the front tailpipe over the rear axle housing and install onto the Monster muffler outlet. Be sure that the two pipes are completely engaged. Loosely snug the 4" hanger clamp. **8.** Install a 4" exhaust clamp onto the inlet of the rear tailpipe. Install the rear tailpipe onto the outlet of the front tailpipe. Insert the rear tailpipe hanger pin into the factory rubber hanger. Rotate the tailpipe until the hanger pins are parallel with the frame mounted pin. Slide the 4" clamp and position as shown in **Figure 40**. Loosely snug the 4" clamp.

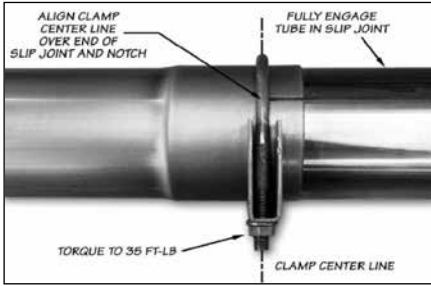
*Notes: Maintain an adequate air gap clearance of one (1) inch between the exhaust and the shock absorber and between the exhaust and the spare tire.*

**Figure 39** Banks Monster Exhaust, General Assembly



| Item # | Description              | QTY | P/N   |
|--------|--------------------------|-----|-------|
| 1      | Flange Intermediate Pipe | 1   | 53748 |
| 2      | Front Tailpipe           | 1   | 53758 |
| 3      | Rear Tailpipe            | 1   | 53757 |
| 4      | Hanger Clamp             | 1   | 53753 |
| 5      | Clamp                    | 1   | 52476 |
| 6      | Nut                      | 3   | 91619 |
| 7      | Washer                   | 6   | 91602 |
| 8      | Gasket, Intermediate     | 1   | 93211 |
| 9      | Bolt                     | 3   | 91629 |
| 10     | Banks Urocal             | 2   | 96009 |
| 11     | Tailpipe Tip             | 1   | 52726 |
| 12     | Band Clamp               | 1   | 52471 |

**Figure 40**



Minimum distance between exhaust tip and body is one (1) inch. 9. Adjust each of the pipes to ensure that all of the hanger pins are parallel with the frame mounted pins and that the rubber hangers are all positioned slightly forward (**Figure 41**). The amount of forward angle on the rubber hangers should increase the farther downstream the hanger is positioned. This allows the hangers to be properly positioned once the exhaust system reaches operating temperature.

**10.** **Figure 40** illustrates the proper location of an exhaust clamp on a tubing joint. Torque the nuts on each of the exhaust clamps to 35 ft-lb. Note: The clamps only need to be tight enough to form a seal and hold the pipes together. Over tightening the clamps may cause the system to leak due to the pipe being crimped.

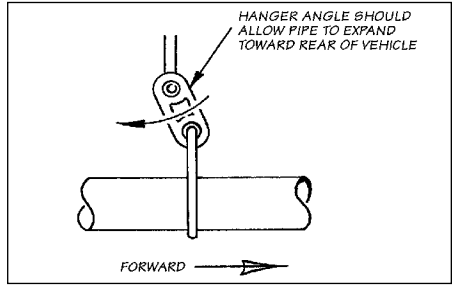
*Note: If installing optional tailpipe tip, cut off 4" from the tailpipe outlet before installing the tailpipe into Banks Monster Muffler. See **Figure 4**.*

**If not installing the optional Banks Tailpipe Tip, skip to step 13.**

**11.** Insert the optional tailpipe tip over the tailpipe outlet. Adjust the tip over the tailpipe outlet. Adjust the tip past the edge of the body or where aesthetically pleasing. Torque the band clamp to 35 ft-lb.

**12.** Remove the protective covering from the tailpipe tip.

**Figure 41**



**CAUTION: THE PROTECTIVE COVERING MAY IGNITE AND BURN IF NOT REMOVED PRIOR TO RUNNING THE ENGINE.**

**13.** With everything positioned properly, begin to tighten the clamps starting with the ones closest to the turbo and working your way back. Evenly torque the exhaust clamps to 35 ft-lbs. Make sure that each slip is fully inserted (+/- 1/4 inch).

**14.** Your system includes two (2) Banks power logos. The logos can be mounted 1/2" to 1" above the "Duramax" emblem on the driver-side and passenger-side front fenders.

**15.** Re-connect the negative battery cable. Start the engine and listen for exhaust leaks. Tighten the exhaust clamps as necessary. Whenever possible, tack weld slip connections to prevent disengagement is recommended. The Banks Monster Exhaust installation is now complete.

**Figure 42- Single Exhaust**

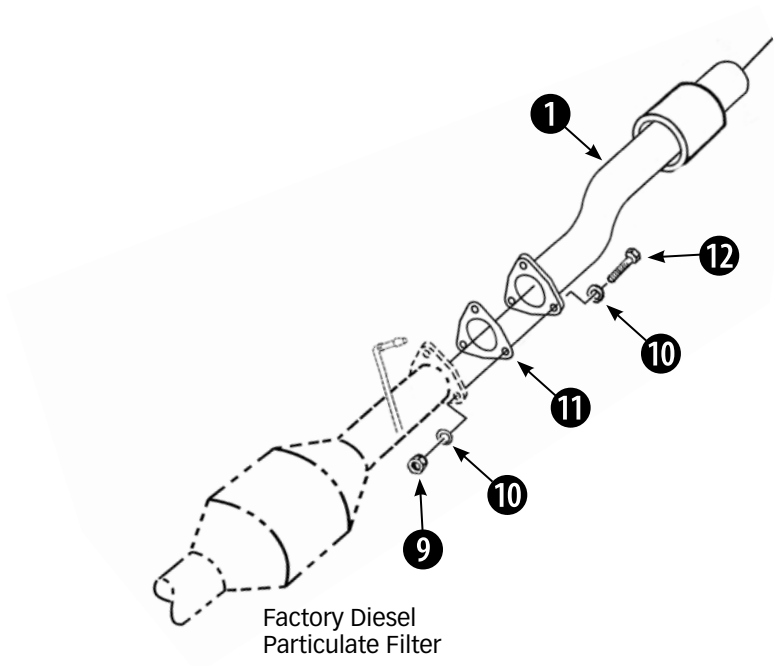


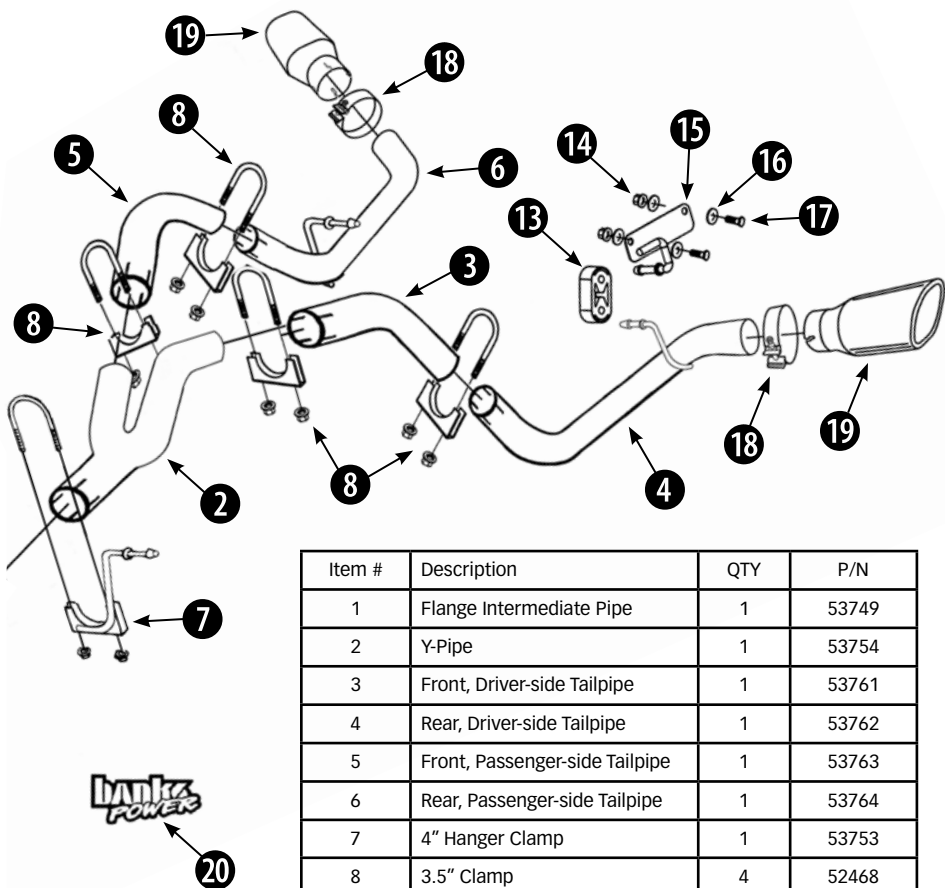
-END, SECTION 8-

# Section 9

## MONSTER EXHAUST SPLIT-DUAL SYSTEM INSTALLATION

**Figure 43** Banks Split-Dual Monster Exhaust, General Assembly





| Item # | Description                    | QTY | P/N   |
|--------|--------------------------------|-----|-------|
| 1      | Flange Intermediate Pipe       | 1   | 53749 |
| 2      | Y-Pipe                         | 1   | 53754 |
| 3      | Front, Driver-side Tailpipe    | 1   | 53761 |
| 4      | Rear, Driver-side Tailpipe     | 1   | 53762 |
| 5      | Front, Passenger-side Tailpipe | 1   | 53763 |
| 6      | Rear, Passenger-side Tailpipe  | 1   | 53764 |
| 7      | 4" Hanger Clamp                | 1   | 53753 |
| 8      | 3.5" Clamp                     | 4   | 52468 |
| 9      | Nut, 7/16" - 20 Hex            | 3   | 91619 |
| 10     | Washer, 7/16" SAE              | 6   | 91602 |
| 11     | Flange Gasket                  | 1   | 93211 |
| 12     | Bolt, 7/16" - 20 x 1 1/4"      | 3   | 91629 |
| 13     | Rubber Hanger                  | 1   | 53732 |
| 14     | Nut, CrimpLock 1/2"-13         | 2   | 91823 |
| 15     | Frame Mounted Bracket          | 1   | 53731 |
| 16     | Washer, SAE Flat 1/2"          | 4   | 91902 |
| 17     | Bolt, Zinc 1/2" - 13 x 1"      | 2   | 91930 |
| 18     | Band Clamp                     | 2   | 52467 |
| 19     | Exhaust Tip                    | 2   | 52718 |
| 20     | Banks Urocal                   | 2   | 96009 |

**1.** Raise the vehicle and support it with properly weight rated safety stands, ramps, or a commercial hoist. Follow the manufacturer's safety precautions. Take care to balance the vehicle to prevent it from slipping or falling. When using ramps, be sure the front wheels are centered squarely on the topsides; place the transmission in park; set the parking brake and place blocks behind the rear wheels.

**CAUTION: Do Not Work Under Any Vehicle Supported Only By A Jack. Severe Injury May Result.**

**WARNING! The following step may require the use of a torch and/or saw. Proper safety equipment should be used. Failure to use proper safety equipment may result in severe injury.**

**2.** Removal of the factory exhaust can be simplified by cutting the factory exhaust pipe behind the muffler. This will allow the tailpipe to be removed as a separate piece.

**3.** Remove the factory tailpipe from the vehicle by disengaging the exhaust system hanger pins from the rubber hangers using a large screw-driver or pry bar.

*NOTE: Lubricating the rubber hangers with WD-40 or similar lubricant will ease removal of the hanger pins.*

**4.** Remove the factory muffler from the vehicle by removing the three (3) nuts from the factory exhaust flange located at the factory muffler inlet.

**5.** Install the Banks flanged intermediate pipe and 3-bolt gasket onto the headpipe. Loosely assemble with the supplied bolts, washers, and nuts.

**6.** Slide the supplied 4" exhaust hanger clamp onto the outlet of the Banks flanged intermediate pipe.

**7.** Install the Y-Pipe over the intermediate pipe as shown in **Figure 43**. Install the 3.5" clamps onto each Y-pipe outlet.

**8.** Install the driver-side hanger bracket on the rear driver-side frame rail using the supplied hardware. Be sure the hanger pin is align parallel to the frame rail and torque the hardware to 48ft-lb. See **Figure 44**.

**9.** Install the supplied rubber insulator onto the Banks hanger bracket. See **Figure 44**.

**10.** Install the driver-side tailpipe onto the left Y-pipe outlet. Install the driver-side tailpipe hanger into the vehicle rubber insulator. Position the rubber insulator as shown in **Figure 45**.

**11.** Install the passenger-side tailpipe onto the right Y-pipe outlet. Install the passenger-side tailpipe hanger into the vehicle rubber insulator. Position the rubber insulator as shown in **Figure 45**.

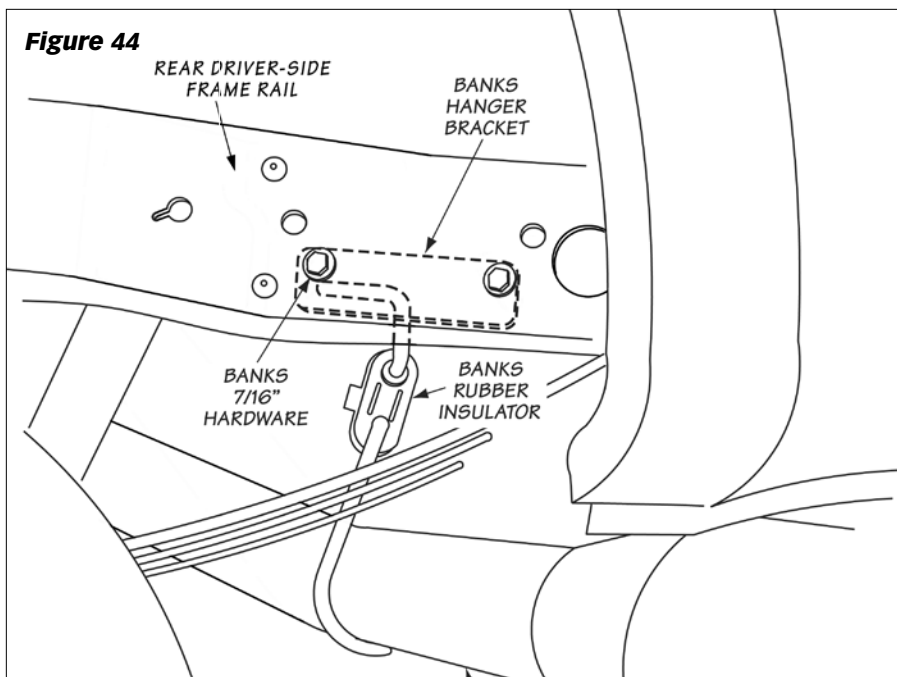
**12.** Loosen and move the spare-tire to the rear of the vehicle and center between the dual tailpipes. Securely tighten the spare tire so that it is retained in place see **Figure 46**.

**13.** Adjust the tailpipe tips under the rear fender such that the tip position is aesthetically pleasing.

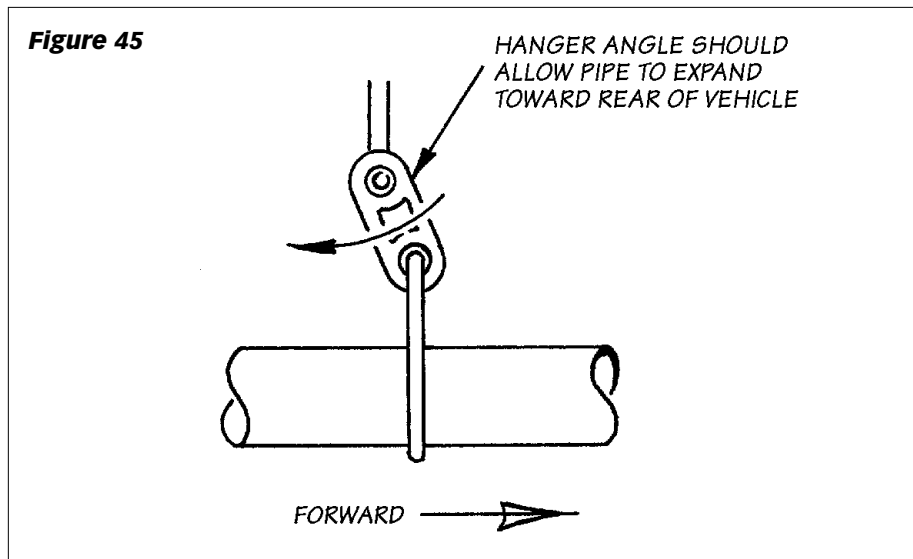
**14.** With everything positioned properly, begin to tighten the clamps starting with the ones closest to the turbo and working your way back. Evenly torque the exhaust clamps to 35 ft-lbs. Make sure that each slip is fully inserted (+/- 1/4 inch). See **Figure 47**.



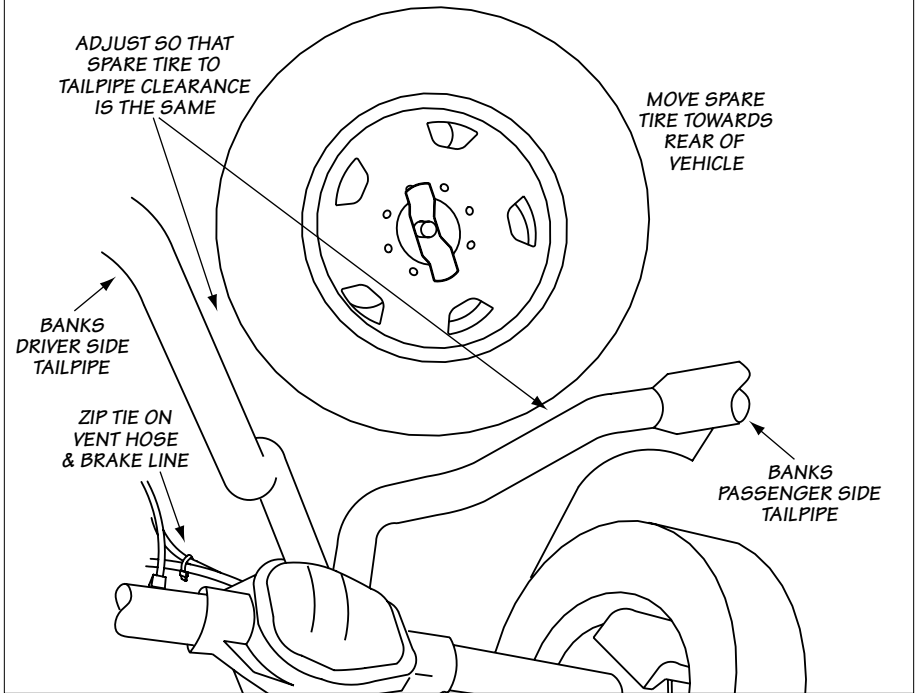
**Figure 44**



**Figure 45**



**Figure 46**



**15.** Remove the protective covering from the tailpipe tips.

**CAUTION: The protective covering may ignite and burn if not removed prior to running the engine.**

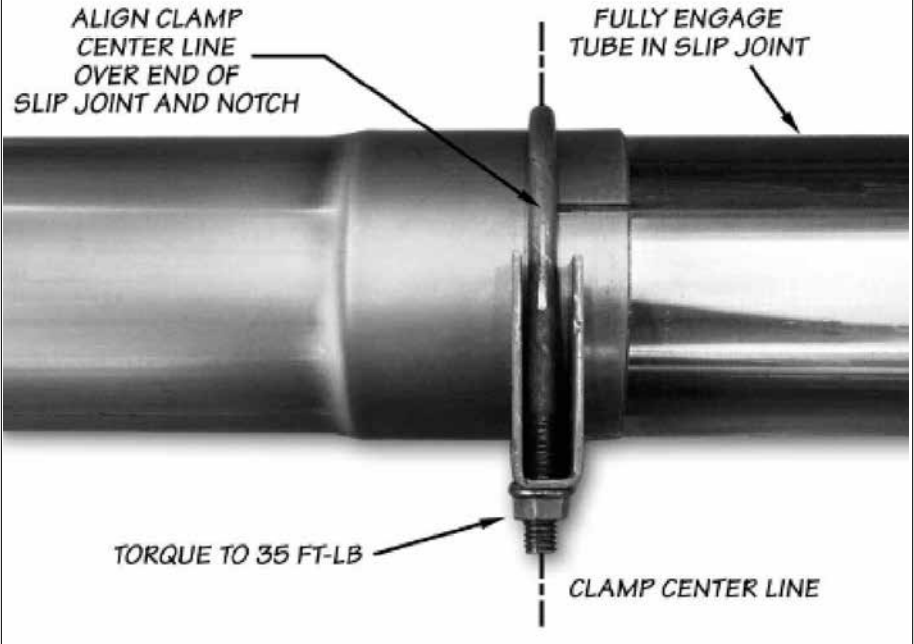
**16.** Re-route any vent hose or brake lines away from the tailpipe using the supplied Cable ties.

**17.** Your system includes two (2) Banks Power decals designed to complement the Duramax emblems on the vehicles front doors.

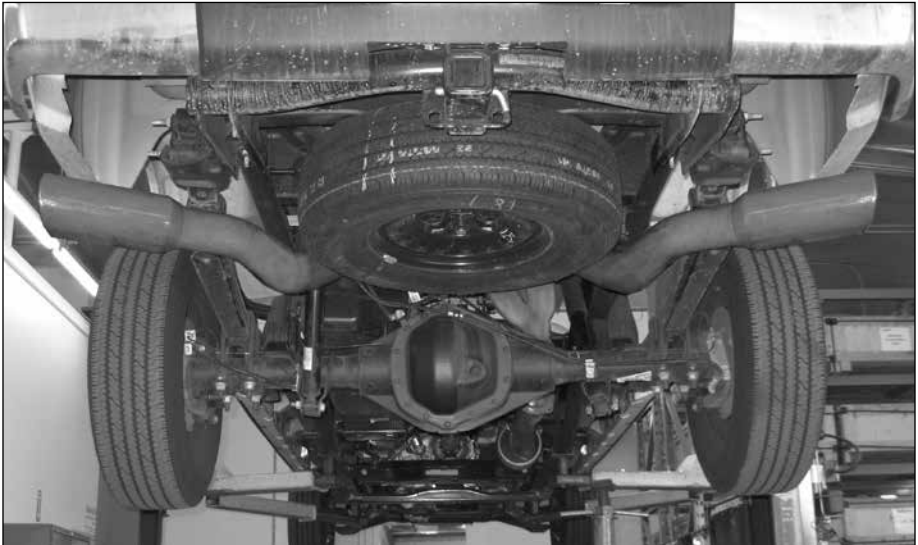
**18.** Re-connect the negative battery cable(s). Start the engine and listen for exhaust leaks. Tighten the exhaust clamps as necessary. Whenever possible, tack weld slip connections to prevent disengagement is recommended. The Banks Monster Exhaust installation is now complete.

-END, SECTION 9-

**Figure 47**



**Figure 48 Split-Dual Exhaust**



# Section 10

## AUTOMATIC TRANSMISSION LEARNING

*NOTE: If a Banks iQ is installed, please refer to the Banks iQ Software & Installation Kit Owner's Manual for software installation and operation instruction before beginning **Section 11, Automatic Transmission Learning.***

The 6.6L Chevy Duramax Trucks equipped with the Allison 1000 6-speed automatic overdrive transmission use an adaptive shift control logic. This will require the transmission to adapt to the additional power created by the Banks Power products before it will shift properly. Failure to follow the sequence can result in damage to the transmission.

Perform the following sequence at a location where it is safe to accelerate without exceeding the posted speed limit.

- 1.** Set EconoMind Tuner to Level 1 power setting, start the truck and allow the engine to reach normal operating temperature.
- 2.** Adjust EconoMind to Level 2, power setting.
- 3.** Drive vehicle for 5 to 10 miles ensuring a complete shift cycle through each gear. (The transmission shift adaptation learning process requires 15 to 30 complete shift cycles to learn new shift program.)

- 4.** Increase power level by one and repeat Step 3 until the desired power level is achieved.

**WARNING: Take particular care not to do wide open runs in 5th gear when in Automatic transmission Learning Mode.**

The Allison 1000 6-speed automatic transmission will continually adapt to the power output of the engine to optimize shift quality. The transmission will quickly adapt to the power setting if the driving cycle includes regular gear changes at high loads. The transmission learning procedure will need to be repeated when switching back to the higher power settings once the transmission adapts to the lower power settings. It will be apparent when the transmission adapts to the lower settings by monitoring the feel of the gearshift. Gear changes will be noticeably harder when initially switching from a higher to lower power setting. This will soften as the transmission adapts to the new setting.

-END, SECTION 10-

# Section 11

## CHECKING ENGINE PERFORMANCE

The EconoMind Diesel Tuner requires the engine coolant temperature (ECT) to be above 110° before it will add fuel. If the optional Banks iQ or DynaFact® gauges are installed, observe the operation of the boost and pyrometer (EGT) gauge values while driving under varying conditions. Turbocharger boost pressure will increase as a function of load and engine RPM, thus the engine will produce little boost while cruising at light throttle, with maximum boost while climbing hills, heavily loaded, and/or during acceleration. Note the boost level seen during hard acceleration with a given load. If performance seems to have deteriorated sometime in the future, the maximum boost figures may be compared to see if boost has dropped off. Lower boost may be caused by turbo ducting leaks, a malfunctioning wastegate or fuel injection pump, or dirty air filter. Typical maximum boost pressure settings will vary considerably between automatic transmissions, year model of vehicle, and altitude.

*NOTE: Before key-off, check the EconoMind Tuner for error codes. Use your Banks iQ or EGT gauge to monitor exhaust gas temperature (EGT) in the engine. At idle, exhaust gas temperature will be very low, perhaps only 300°F. As the engine is accelerated for higher speeds with greater loads, the EGT will rise. The highest EGT will be seen under maximum load at full throttle, such as climbing a steep grade with a heavily laden vehicle. To avoid heat damage to various engine components it is recommended that the exhaust gases cool below 400°F before the engine is shut down. Your EconoMind Diesel Tuner is calibrated to maintain EGTs depending on power level.*

| Level | EGT    |
|-------|--------|
| 1-6   | 1350°F |

*You may experience brief excursions slightly above the temperatures listed under acceleration. This is normal and the EGT should return to or below the proper temperature within a few seconds. If you find that EGT remains high for any length of time, check for boost leaks or a dirty air filter.*

-END, SECTION 11-

# Section 12

## ECONOMIND TUNER TROUBLESHOOTING

### EconoMind troubleshooting using the Banks iQ.

Check the Banks iQ's Status indicator for the "OK" icon on the upper left corner of the iQ screen. Any Tuner fault will be indicated by the "Banks Engine" icon (see **Figure 49**) and its cause can be investigated by running a 'Power Diagnostic' from the Diagnostic menu.



1. In the Environment select menu press on the 'Diagnostics' button. See **Figure 50**.
2. In the Diagnostics menu press on the 'Tuner Diagnostics' button to run a tuner diagnostics. See **Figure 51**.
3. The 'Self Diagnostic' screen displays a log of diagnostic events related to the Power Tuner. The 'Logged Events'

list takes a moment to update each time this screen is opened. Once the list is updated, the most current event will appear at the bottom of the list. Each event has an associated timestamp and description, which will be displayed below the list when that event is highlighted. Each key cycle of the vehicle produces a minimum of two logged events. See **Figure 52**. **Table 1** lists the common diagnostic codes and the suggested Course of Action for each.

4. Use the arrow buttons to scroll through the recorded events.
5. Touch the Banks iQ icon on the lower left of the screen to return to the environment screen or the return icon to return to the Diagnostics menu.
6. A pop-up "Log-File" screen will appear asking you if you want to erase the contents of the log. Press 'No' to keep the contents on Log-file or 'Yes', to erase the Log-files.

**Figure 50**



Figure 51

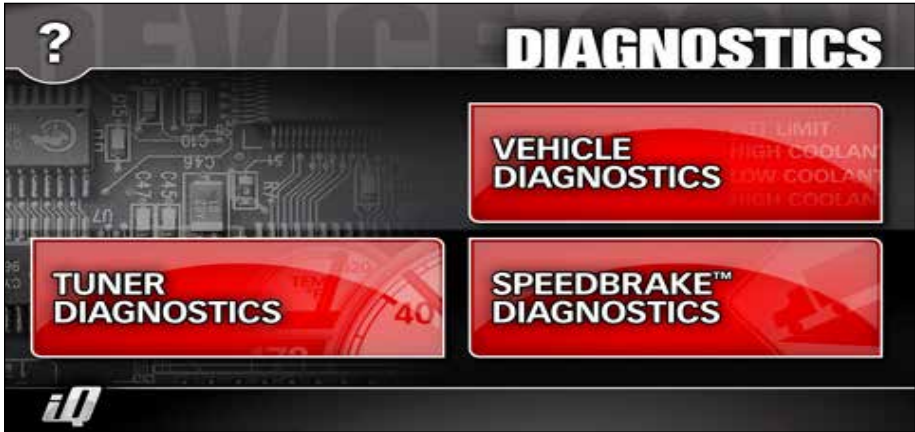


Figure 52



### EconoMind Troubleshooting using the Tuner's LEDs.

*(With or without a Banks iQ Installed)*

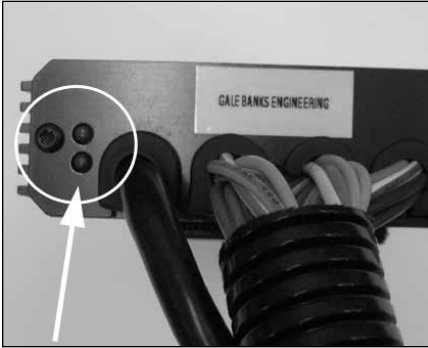
If you feel that your EconoMind Diesel Tuner is not functioning properly, some diagnostics can be performed. Your EconoMind Diesel Tuner is equipped with diagnostic features that will detect and display certain errors.

Remove the EconoMind Diesel Tuner from its mounting location while keeping all connectors plugged in, and

position it in such a way that you can view the end of the EconoMind housing that contains the LEDs from the driver's seat (**Figure 53**). Turn the vehicle key to the ON position. Observe the two LEDs mounted on the end of the EconoMind Diesel Tuner:

- A steady GREEN LED will illuminate if all wire connections are correct, the engine is running, and the engine coolant temperature is within its normal operating range.

**Figure 53**



- The GREEN LED will flash if all wire connections are correct, the engine is running, but the engine coolant temperature is not within its normal operating range. The GREEN LED will stop flashing once the engine coolant temperature is within its normal operating range.
- No LEDs will illuminate if the fuse on the EconoMind wiring harness is blown or the wiring harness is not properly connected. If the fuse and all connections are okay, contact Banks Technical Service.
- The RED LED will flash in a certain sequence if a connection is incorrect or if there is a problem with the system – this sequence will identify one or more diagnostic codes. A EconoMind Diesel Tuner’s diagnostic code is comprised

of 2 digits. Each code is expressed in a sequence of 2 sets of the flashing RED LED separated by a brief flashing of the GREEN LED in between. Each set of a number of RED LED flashes represents a digit. A longer flashing of the GREEN LED separates the sequences. The LEDs will continue to flash to display all the errors, and then repeat. **Table 1** lists common diagnostic codes. For example, if a faulty thermocouple is detected (code “2,3”) by the EconoMind Diesel Tuner, the following RED and GREEN LED flashing sequence is observed when the key is on:

- (1) Two times flashing RED LED
- (2) One time quick flashing GREEN LED
- (3) Three times flashing RED LED
- (4) One time longer flashing GREEN LED

The above flashing sequence will repeat continuously. When the problem is corrected, the diagnostic code will be eliminated and replaced by a steady GREEN LED. If the problem persists, contact Banks Technical Service.

*NOTE: If multiple codes are set, they will be displayed in a series separated by the longer flashing GREEN LED. When reading codes, make sure to watch the entire series until you see the first code repeat.*

-END, SECTION 12-



**Table 1: EconoMind Troubleshooting**

| <b>Code</b>       | <b>Banks iQ Error Message</b>                                 | <b>Corrective Action</b>  |
|-------------------|---|---|
| <b>1.1</b>        | Fuel Rail Pressure (FRP) Input Voltage Out of Range.          | Turn ignition OFF for 60 seconds and check the black and gray connectors.   |
| <b>1.2</b>        | Manifold Absolute Pressure (MAP) Input Voltage Out of Range.  | Turn ignition OFF for 60 seconds and check the gray and black connectors.   |
| <b>1.3</b>        | EconoMind Switch Input Value Out of Range.                    | Turn ignition OFF for 60 seconds and make sure either Banks iQ or EconoMind Switch is connected to the EconoMind Tuner. If the EconoMind Switch is connected (no Banks iQ), check the 2-terminal connection on Tuner's In-Cab cable. If Banks iQ is connected (no Banks EconoMind Switch), check the 4-terminal connection on the Tuner's In-Cab cable. |
| <b>1.4</b>        | Mass Air Flow (MAF) Input Voltage Out of Range.               | Turn ignition OFF for 60 seconds and check the 5-Terminal MAF connector.  |
| <b>2.1</b>        | Fuel Rail Pressure (FRP) Output Voltage Out of Range.         | The FRP sensor may be bad. Turn ignition OFF for 60 seconds and check the gray and black connectors.  |
| <b>2.2</b>        | Manifold Absolute Pressure (MAP) Output Voltage Out of Range. | The MAP sensor may be bad. Turn ignition OFF for 60 seconds and check the black and gray connectors.  |
| <b>2.3</b>        | Exhaust Gas Temperature (EGT) Sensor Circuit Fault.           | Turn ignition OFF for 60 seconds and check the thermocouple connectors.   |
| <b>2.4</b>        | Mass Air Flow (MAF) Output Voltage Out of Range.              | The MAF sensor may be bad. Turn ignition OFF and check the 5-Terminal MAF connector.  |
| <b>3.1</b>        | Engine Position Sensor Fault.                                 | Turn ignition OFF for 60 seconds and check the gray and black connectors.   |
| <b>3.2</b>        | Internal Module Malfunction or Intermittent Power.            | Turn ignition OFF for 60 seconds and check the black and gray connectors. Check the Tuner's fuse.   |
| <b>3.3</b>        | EGR Valve Position Input Voltage Out of Range.                | Turn ignition OFF and check the black and gray connectors.  |
| <b>3.4</b>        | OBDII CAN communication error                                 | Turn ignition OFF for 60 seconds and check the gray and black connectors.   |
| <b>4.1</b>        | Injection Control Signal Fault.                               | Turn ignition OFF for 60 seconds and check the gray and black connectors.   |
| <b>4.2</b>        | Transmission Slippage Detected.                               | Transmission is slipping excessively. Code will automatically clear once transmission stops slipping (repaired). If code is thrown, torque converter needs to lock and unlock 5x before code is cleared from transmission.  |
| <b>4.3 or 4.4</b> | Internal Module Malfunction.                                  | Turn ignition OFF. Turn ignition back ON after 60 seconds and re-check for presence of code. If error is still present, turn ignition OFF and check all connectors. Check the Tuner's fuse.   |

If any code is displayed or is persistent, pull the connectors apart and check the terminals. A terminal may not have been seated correctly during manufacturing and it may have moved when connected. If it appears that a terminal has moved, gently pull on it with small needle nose pliers to lock it in place.

# Section 13

## CLEARING LEARNED INFORMATION

If the EconoMind Diesel Tuner has been moved to a different vehicle, or you are instructed to do so by Banks Technical Staff, it is possible to reset all of the parameters that the EconoMind has 'learned' - presence of an EGT thermocouple, etc.

**CAUTION: The following procedures can only be carried out with the engine OFF!**

1. Turn the vehicle key to ON but DO NOT start the engine.
2. Fully depress the throttle pedal and then release it completely. Repeat 5 times. The Tuner's GREEN LED will flash when this is completed successfully.

3. Turn the key OFF. Wait 60 seconds and make sure the GREEN LED goes off and stays off. Turn the key back to the ON position but DO NOT start the engine.

4. Fully depress the throttle pedal and then release it completely. Repeat 5 times.

5. The EconoMind Tuner has now been cleared of all 'learned' parameters and will now be in a factory-default state, as it was originally shipped.

-END, SECTION 13-

# Section 14

## REMOVAL OF THE ECONOMIND DIESEL TUNER

If the EconoMind Diesel Tuner should ever need to be removed from the vehicle, perform the following:

1. Disconnect the negative (ground) cable from the battery (or batteries, if there are two) before beginning work.
2. Disconnect the EconoMind's gray connector from the factory harness.
3. Re-connect the vehicle's gray connector back into the factory harness.
4. Disconnect the EconoMind's black connector from the factory harness.
5. Re-connect the vehicle's black connector back into the factory harness.
6. Disconnect the EGT thermocouple connector. The thermocouple may be

left in place or removed if a suitable plug is used.

7. Disconnect the 'In-Cab Cable' and gently pull the cable back through the firewall.

8. Remove the EconoMind Diesel Tuner. Failure to follow the above instructions when removing the Tuner will result in a "Check Engine" light on the dash and a Diagnostic Trouble Code being stored in the factory computer, in addition to the engine not running.

9. Re-connect the negative (ground) cable(s).

-END, SECTION 14-

# Section 15

## PLACEMENT OF THE BANKS POWER DECALS

Figure 54

TYPICAL LEFT FENDER PLACEMENT



DURAMAX DIESEL



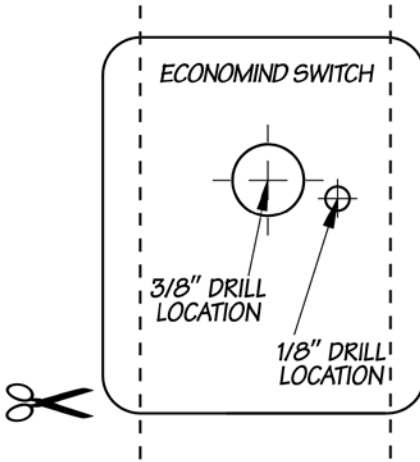
TYPICAL RIGHT FENDER PLACEMENT



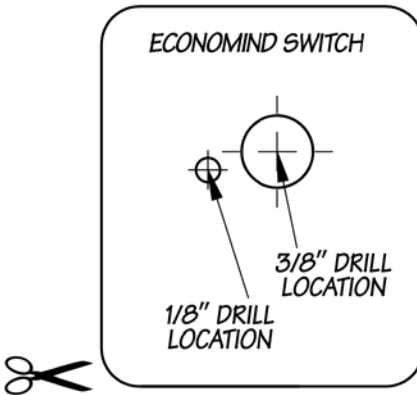
DURAMAX DIESEL



**Template 3- Use only when drilling from the front**



**Template 4- Use only when drilling from the rear**



Gale Banks Engineering  
546 Duggan Avenue • Azusa, CA 91702  
(626) 969-9600 • Fax (626) 334-1743

Product Information & Sales: (888) 635-4565  
Customer Support: (888) 839-5600  
Installation Support: (888) 839-2700

**bankpower.com**